

Furniture installation



Computer desk installation process

GD007





Hex Key



M3*5



M7*3



M11*9



Nut *5



N12*4



Wire Junction Box



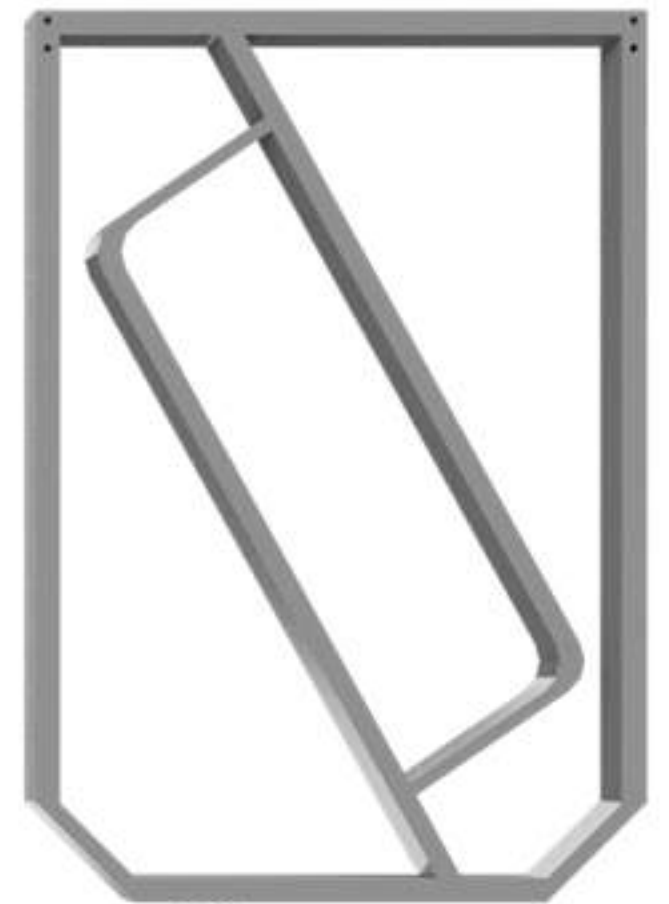
①



④



②*2

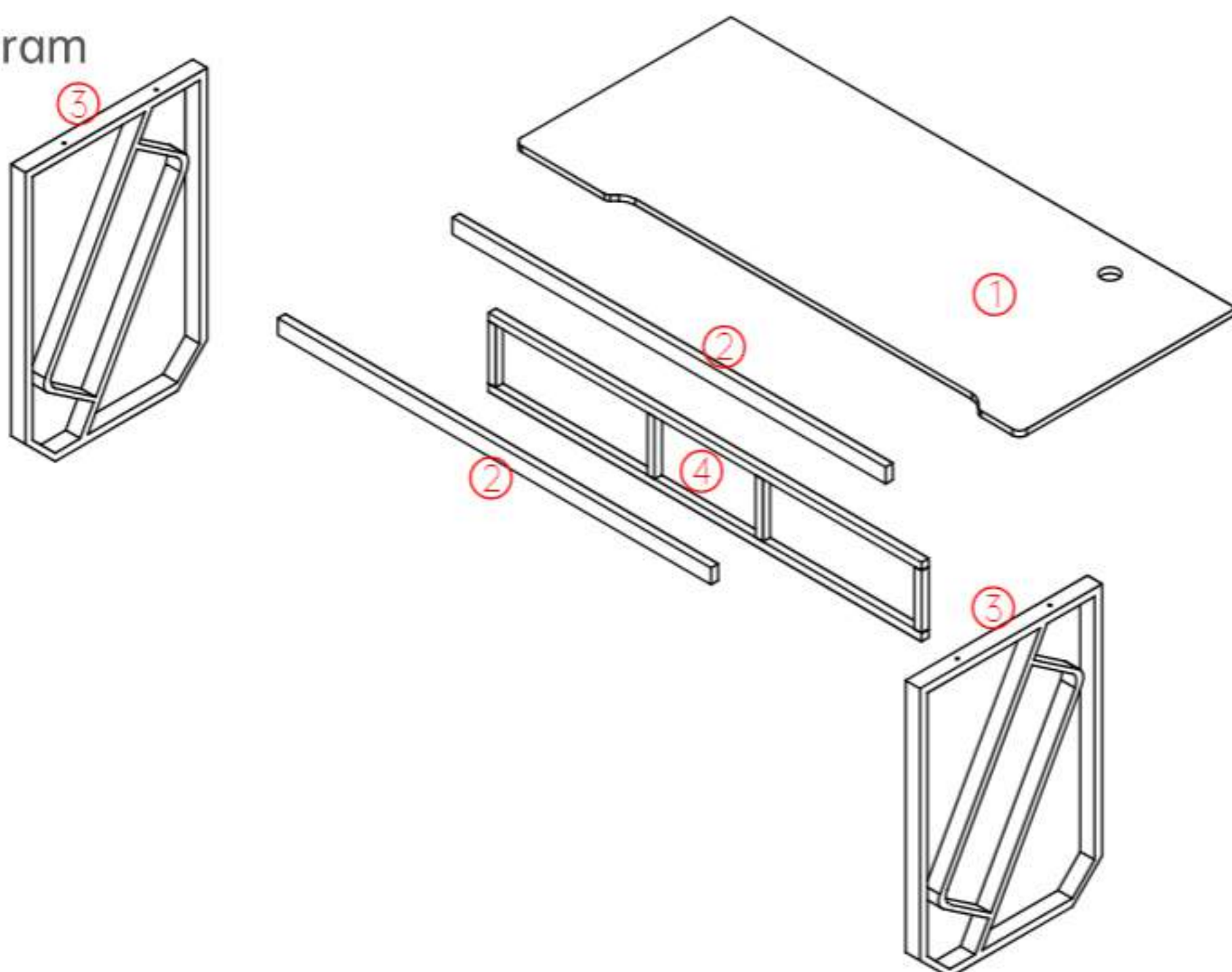


③*2

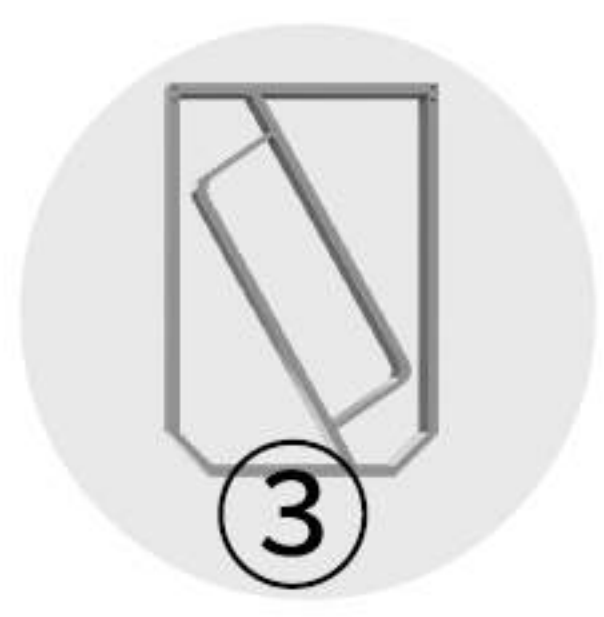
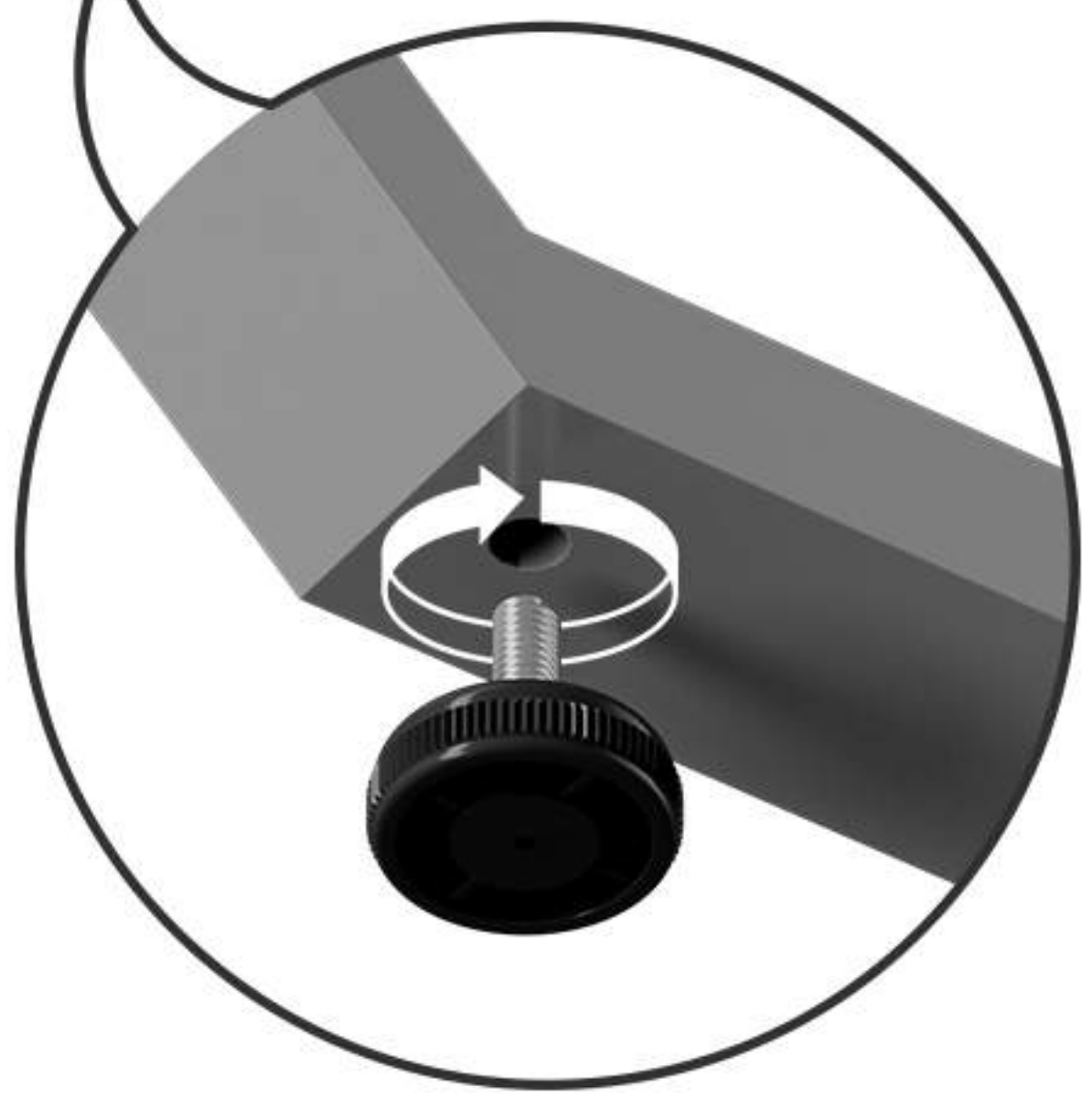
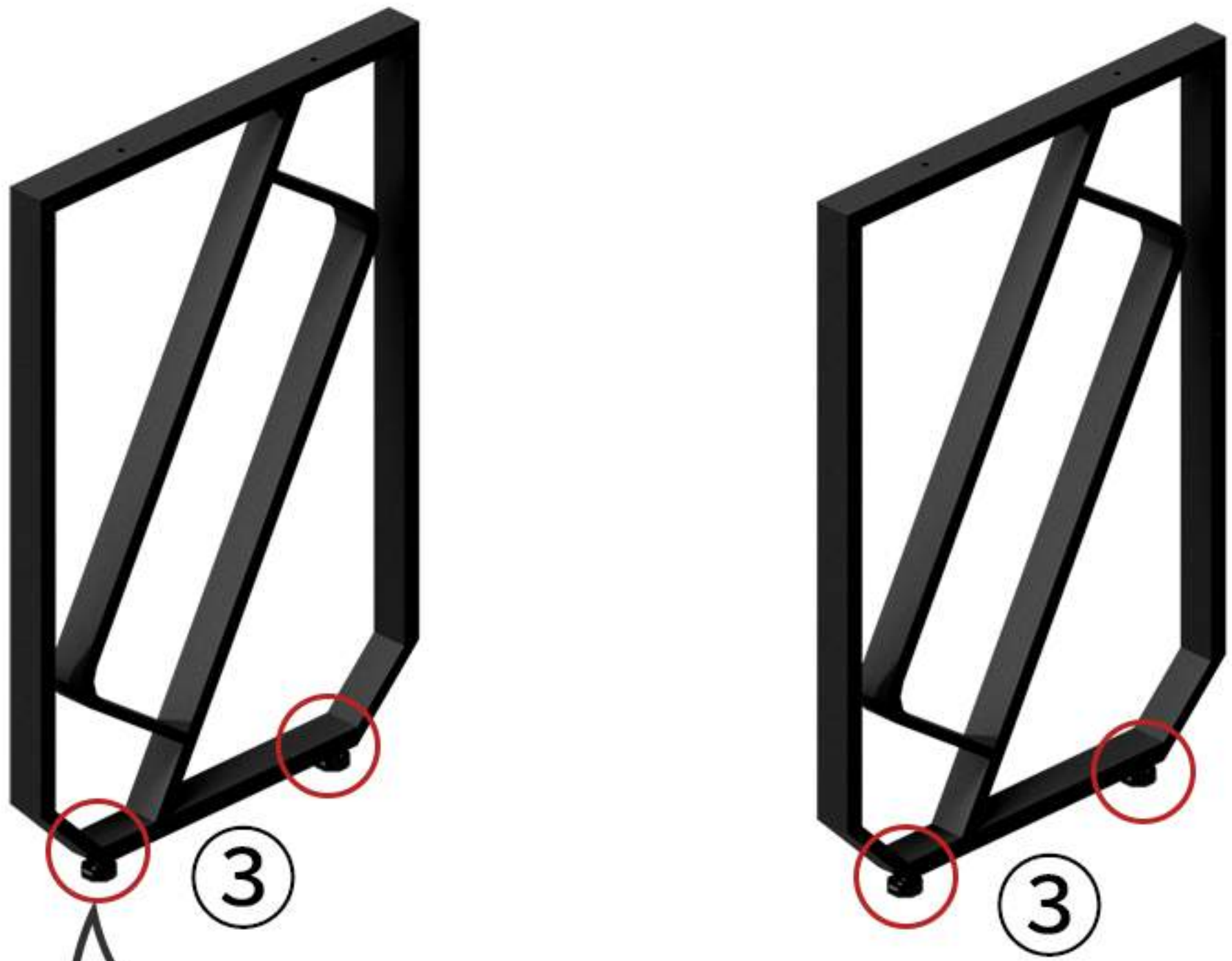
Presentation of finished product



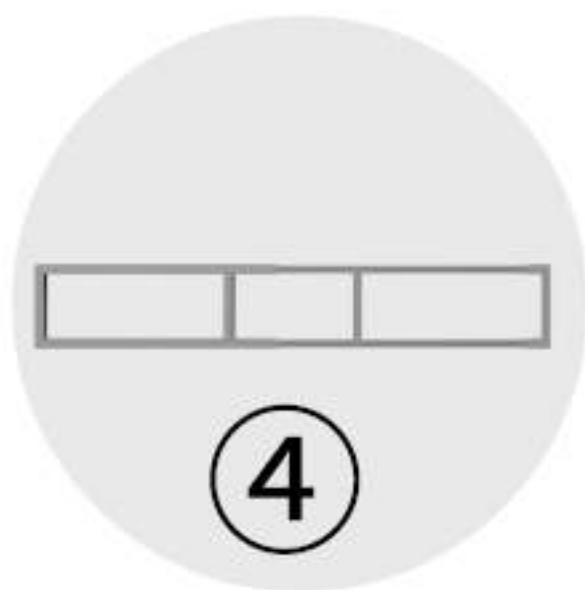
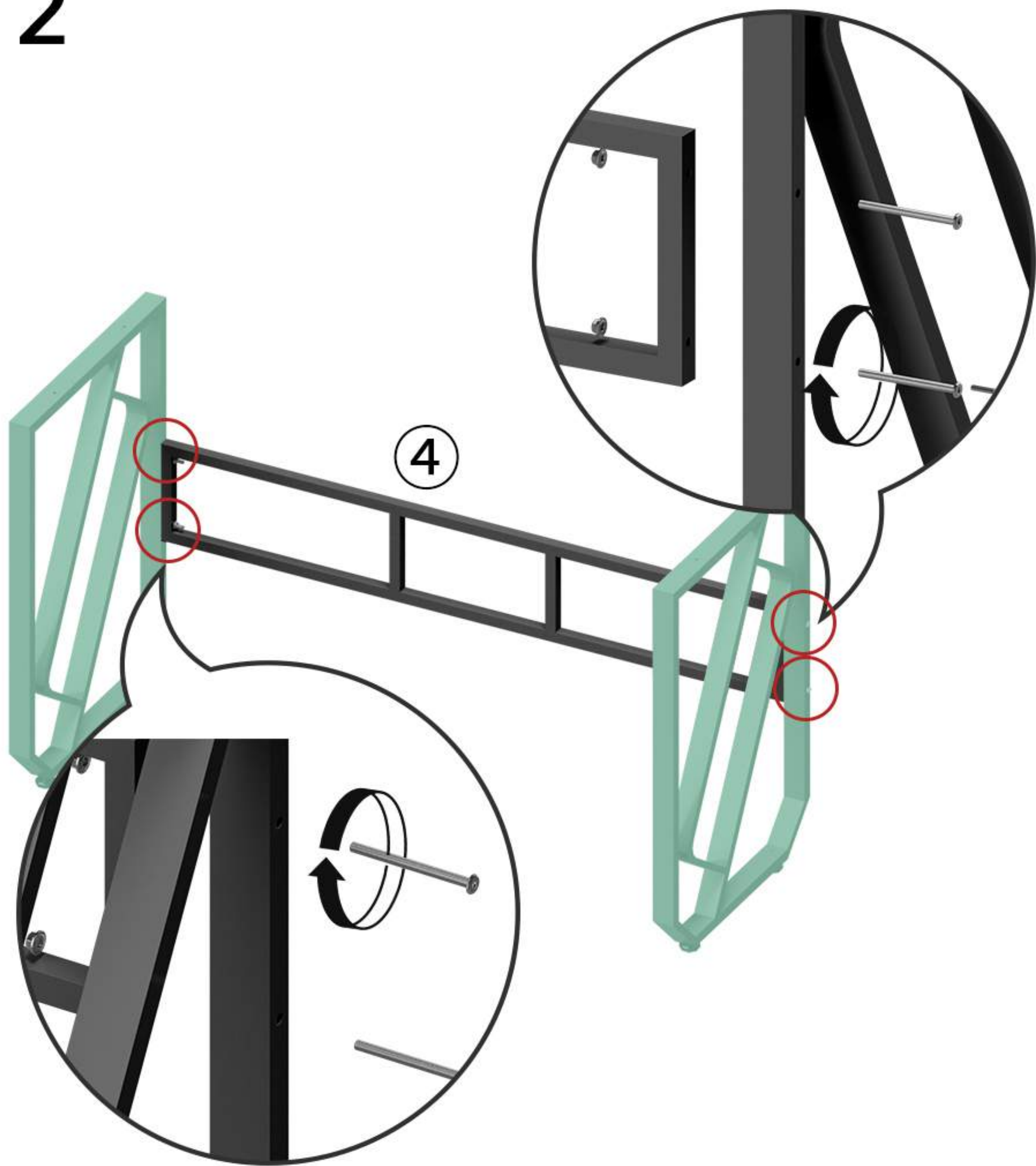
Product Split Diagram



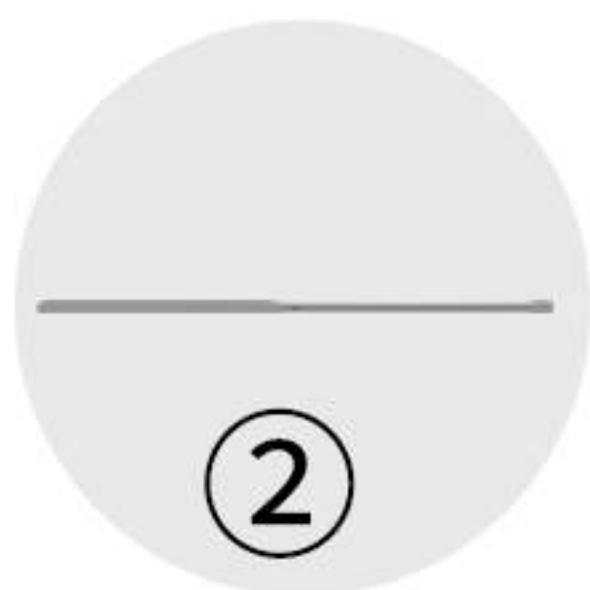
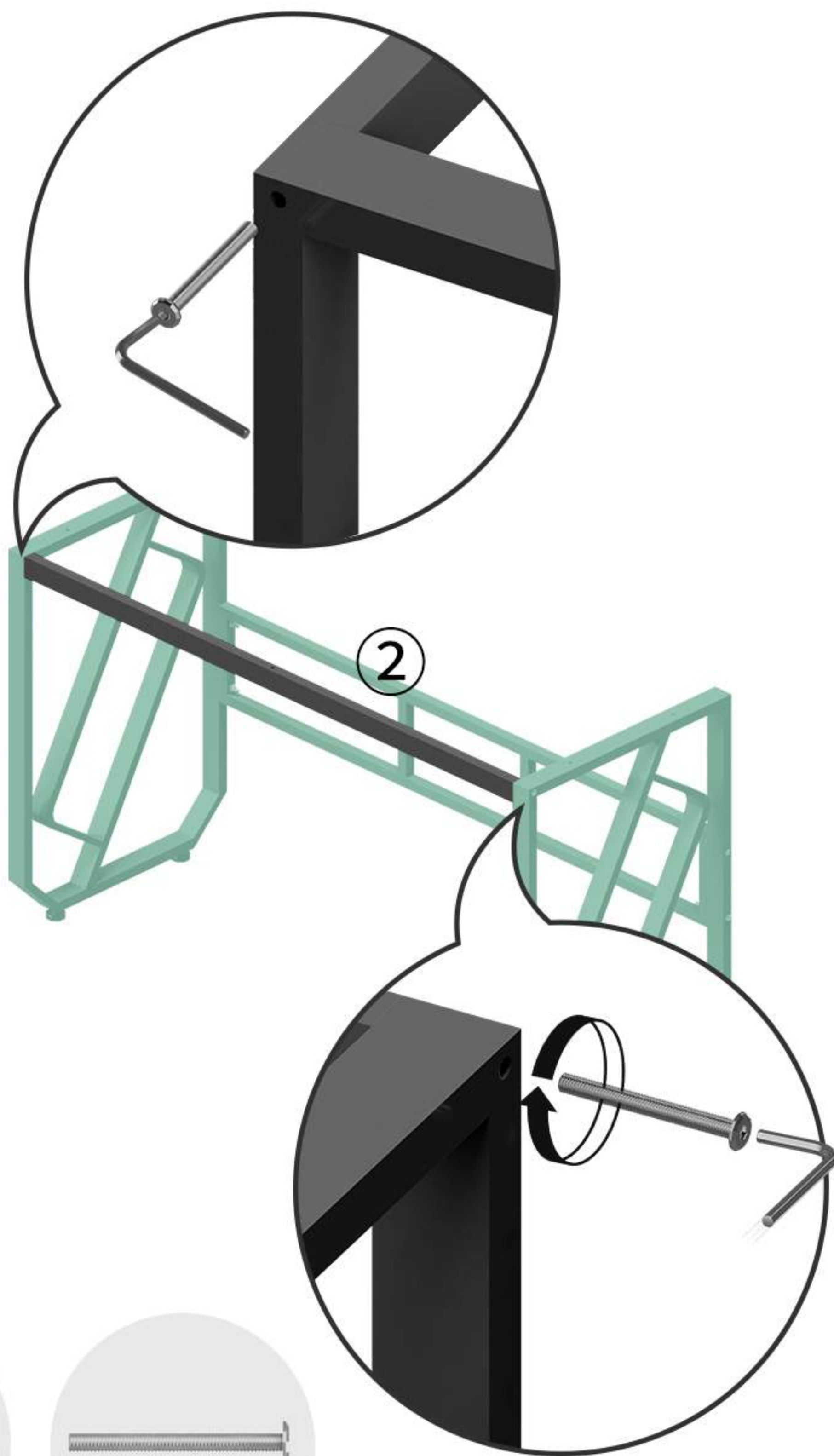
1



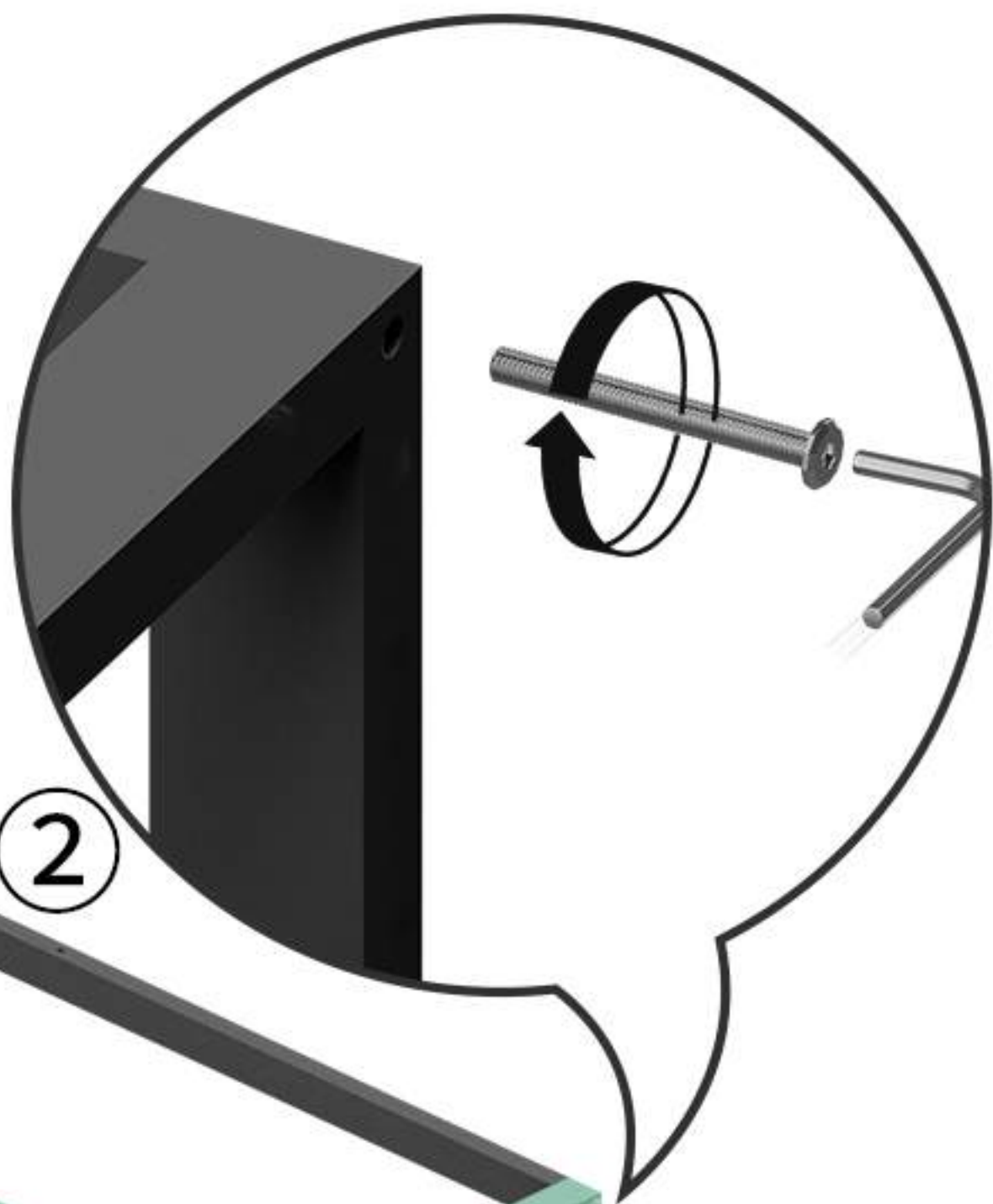
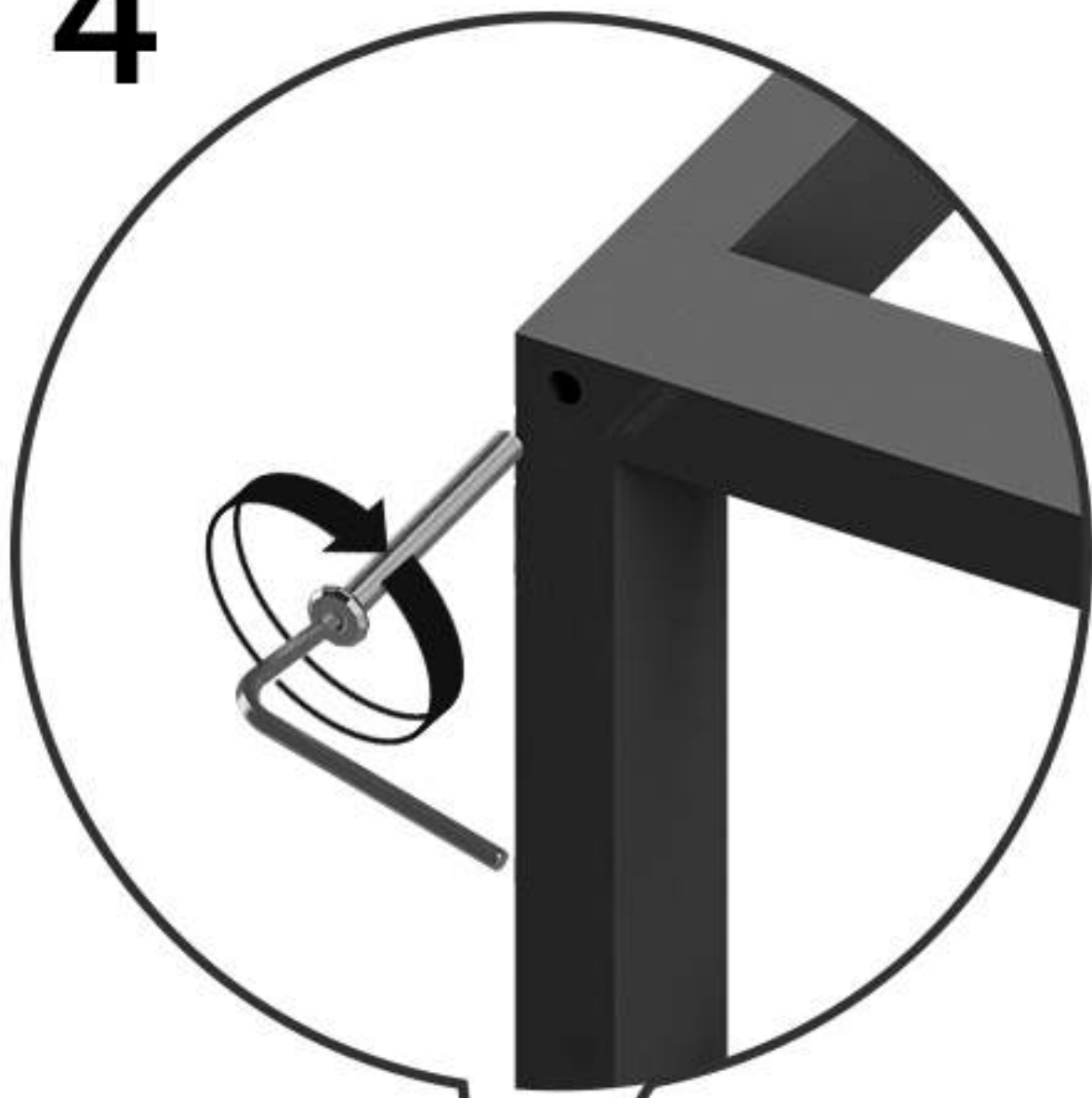
2



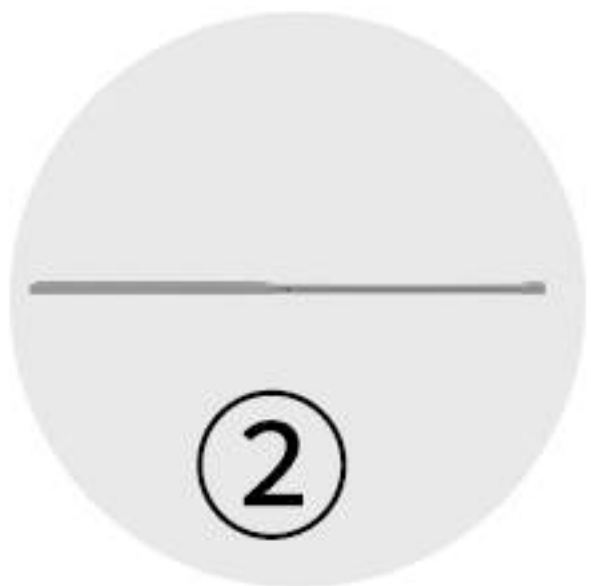
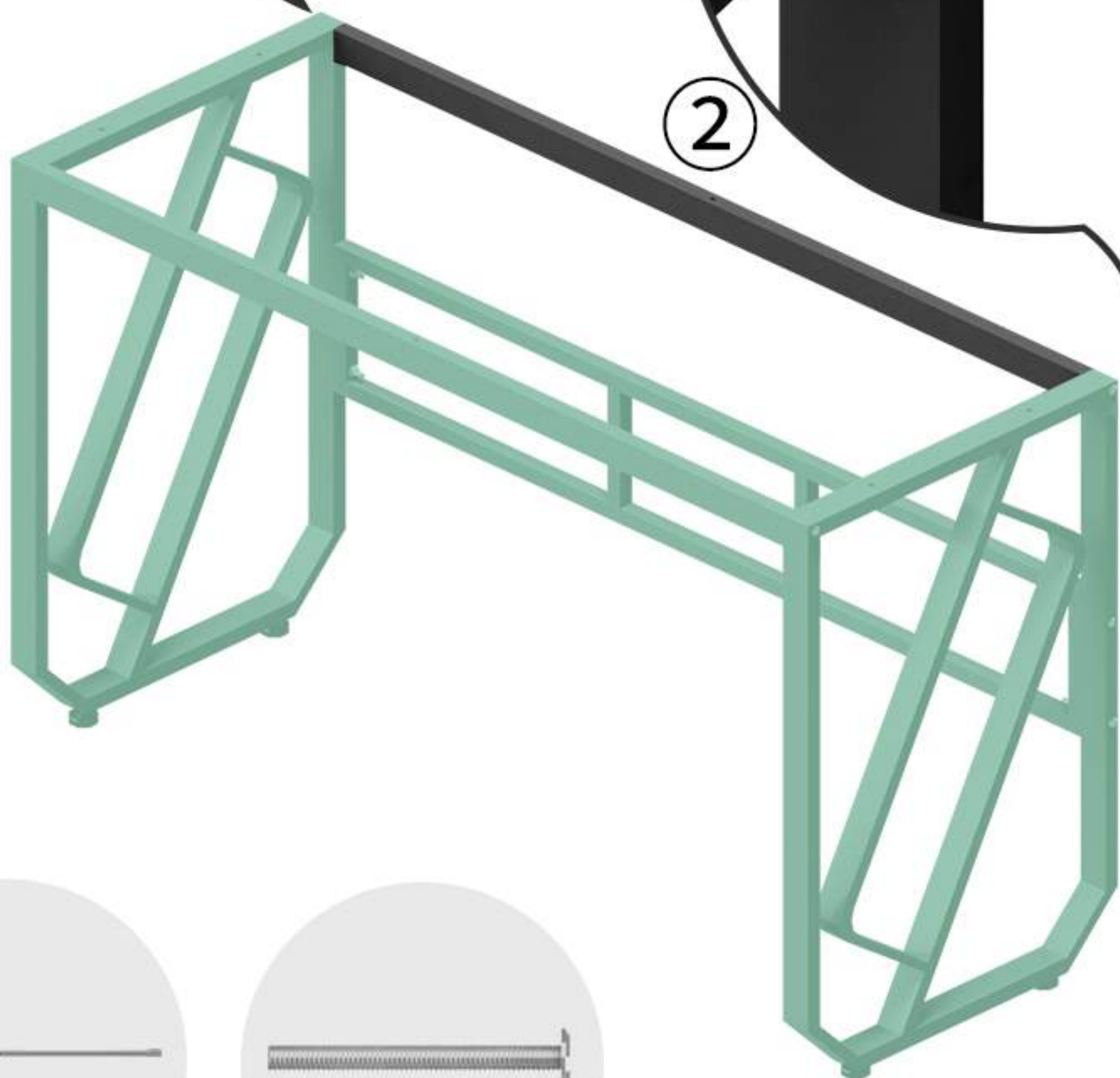
3



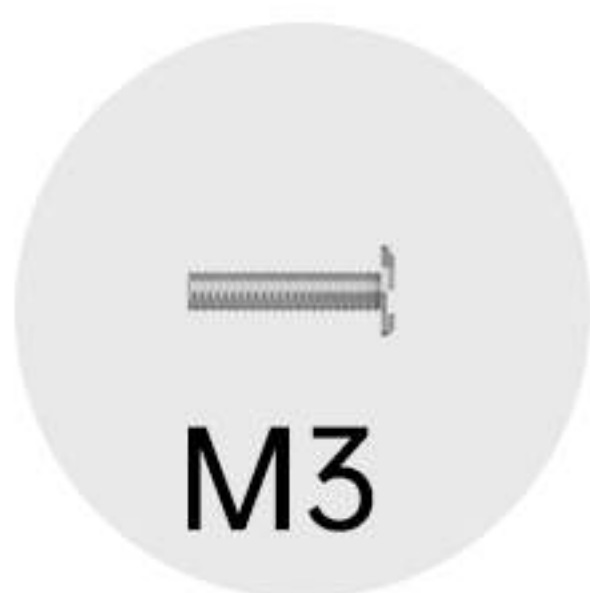
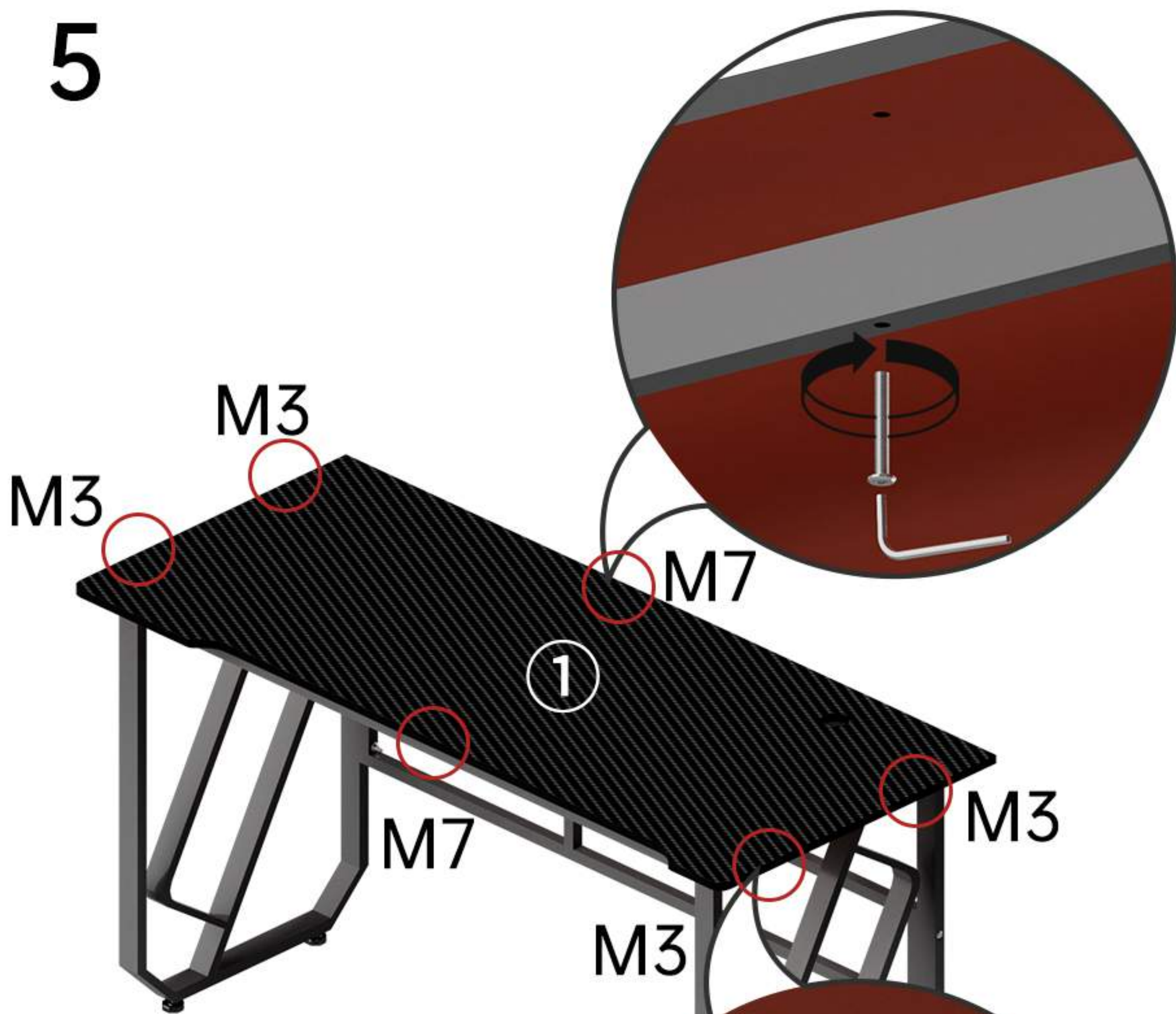
4



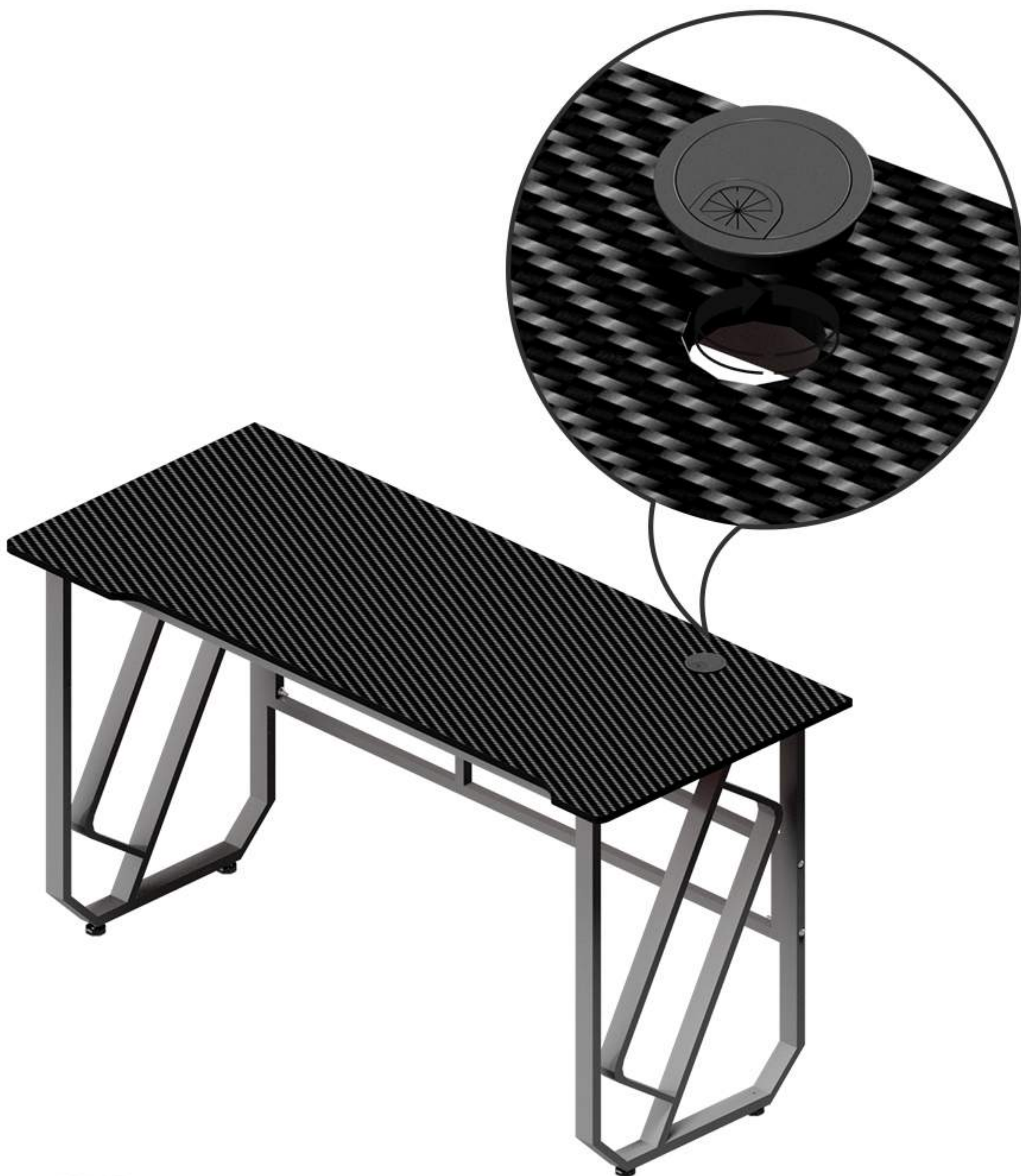
2



5



6



7

