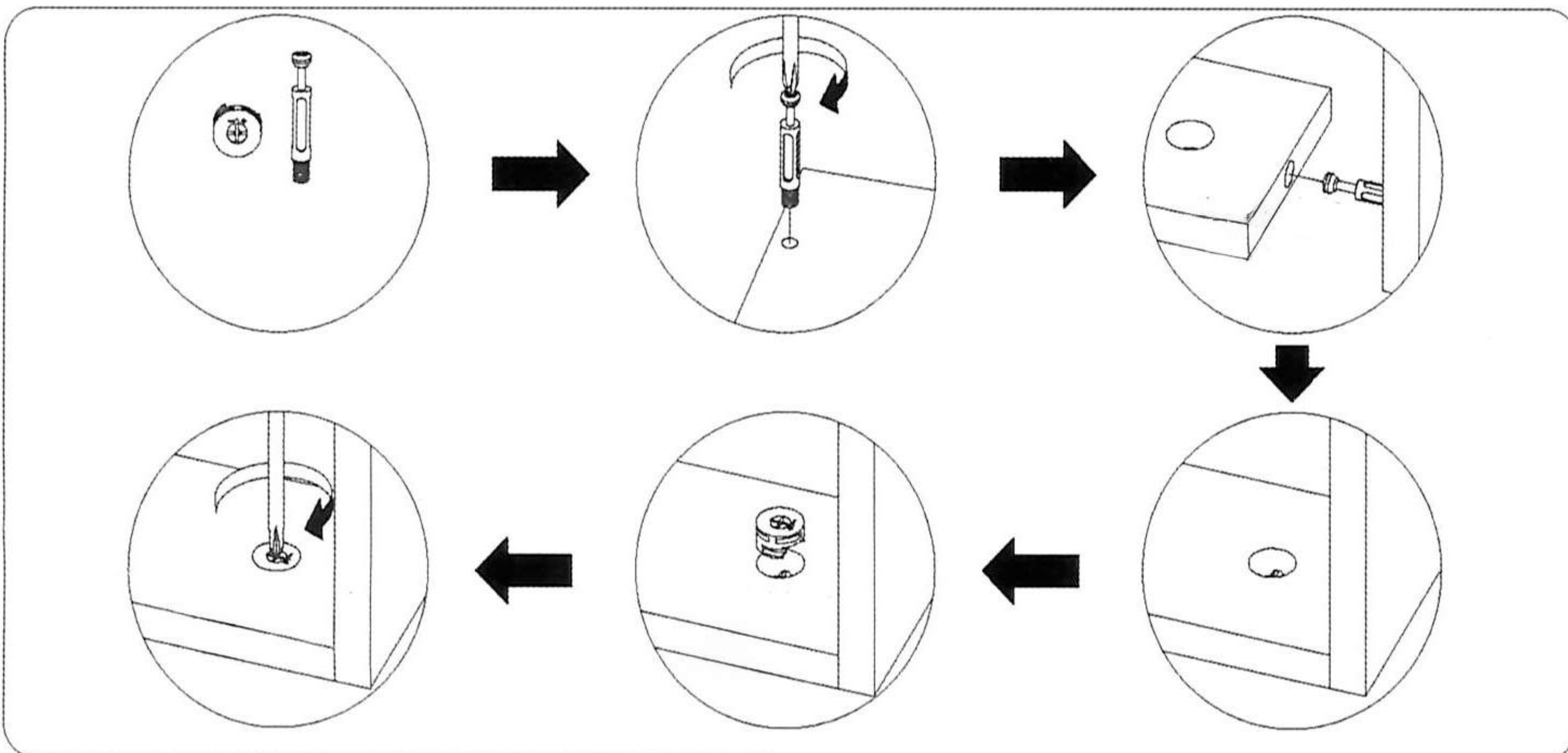
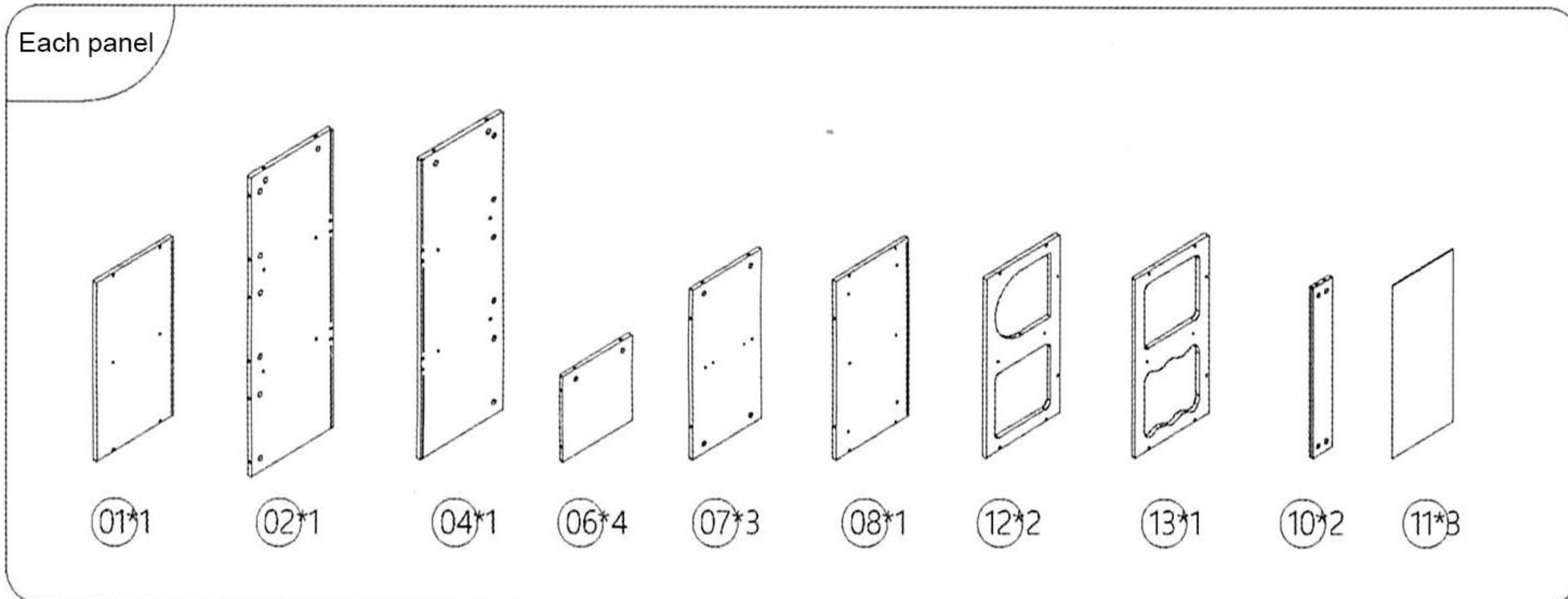
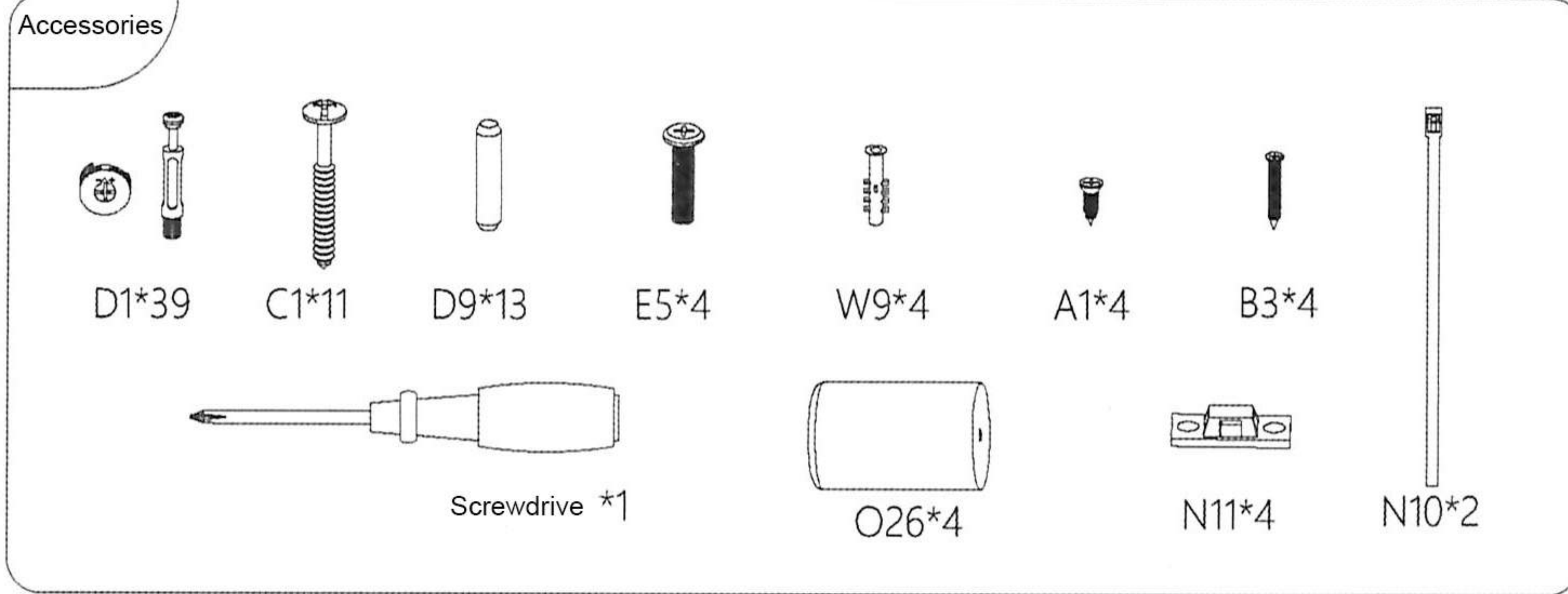
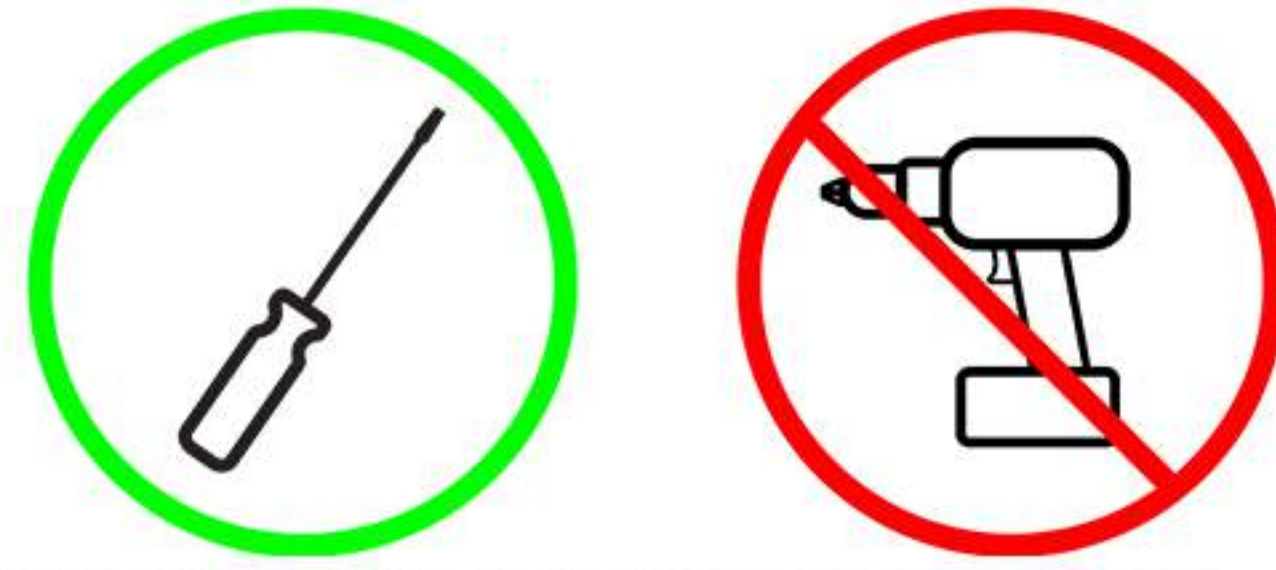
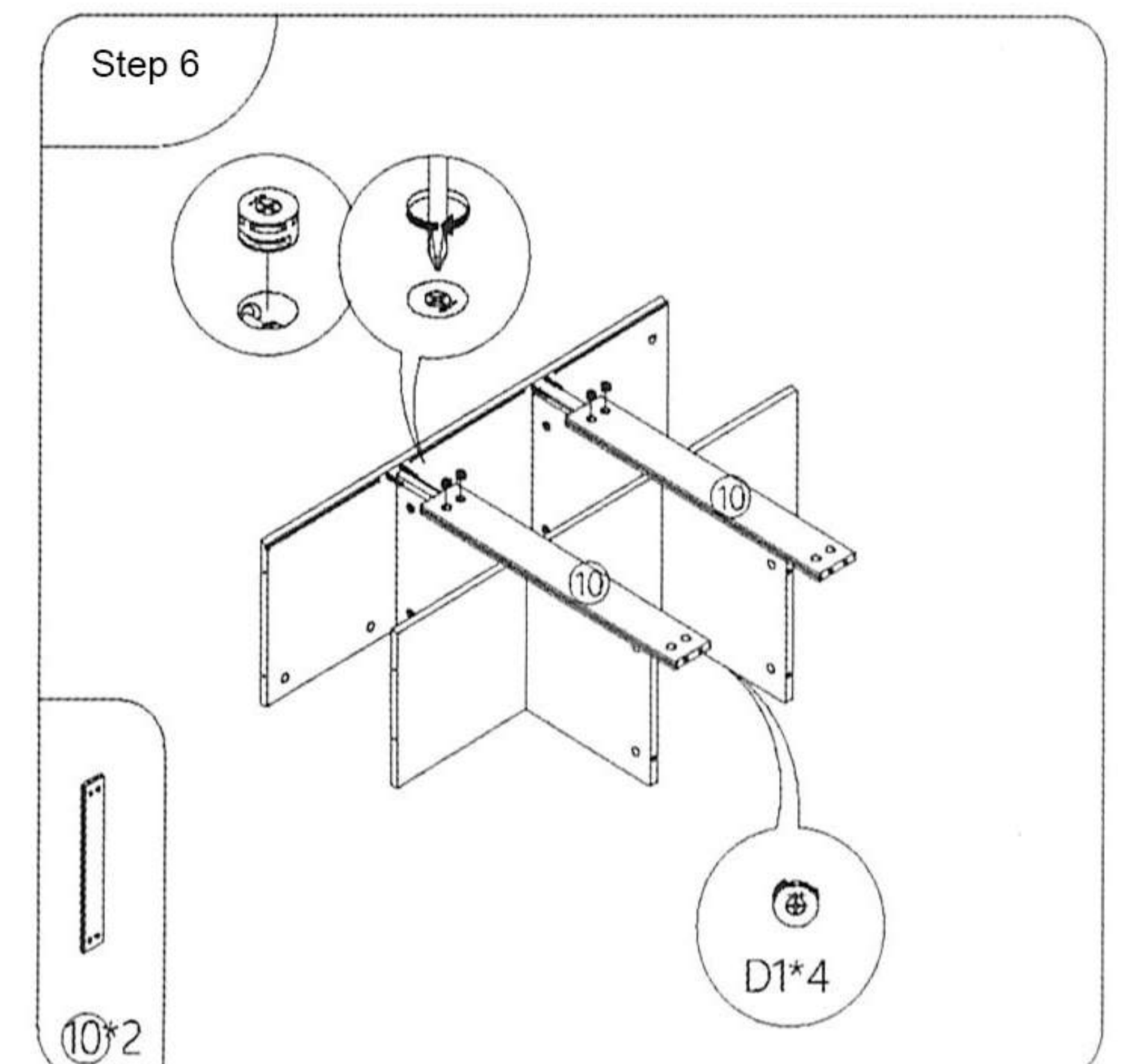
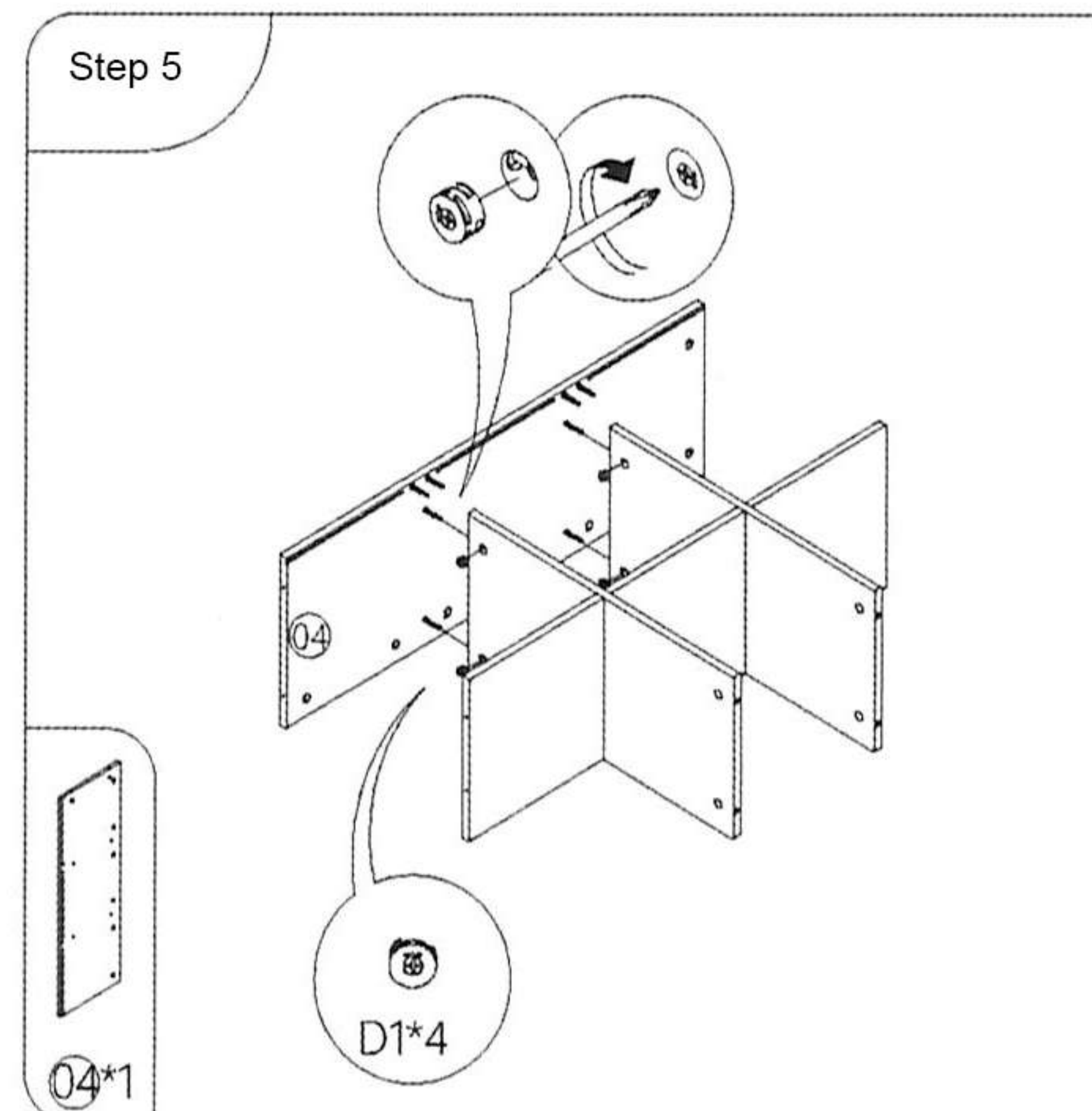
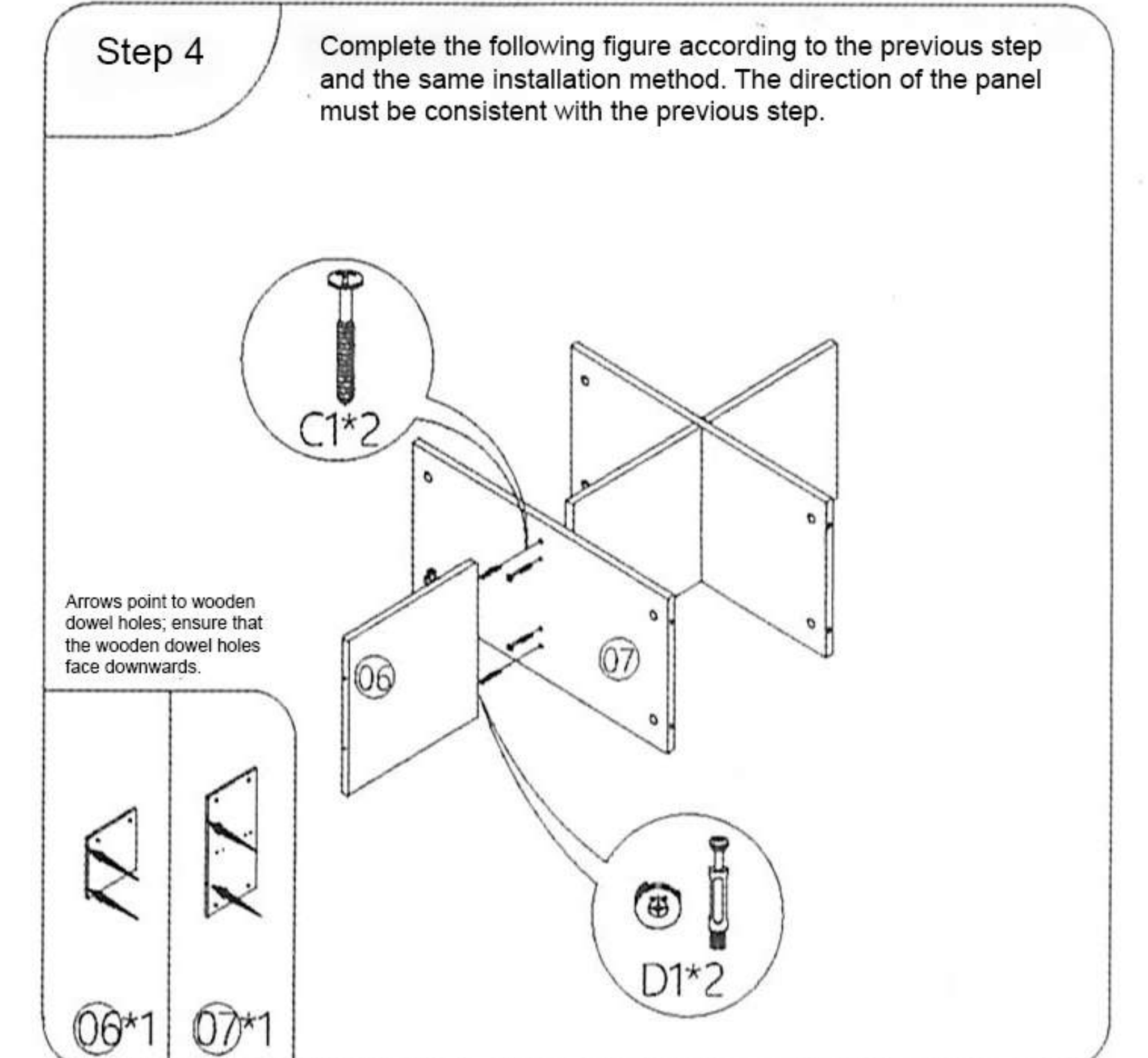
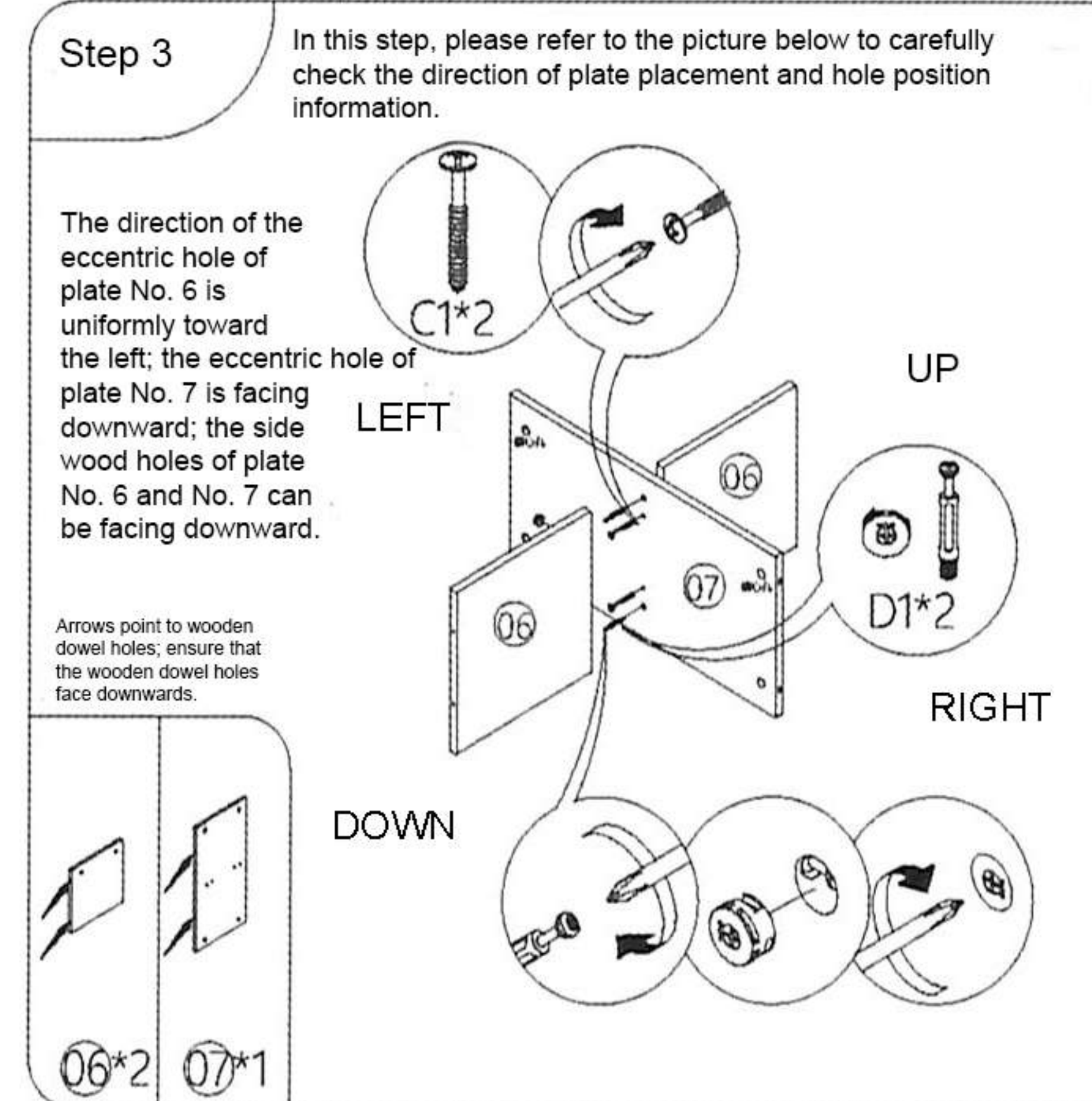
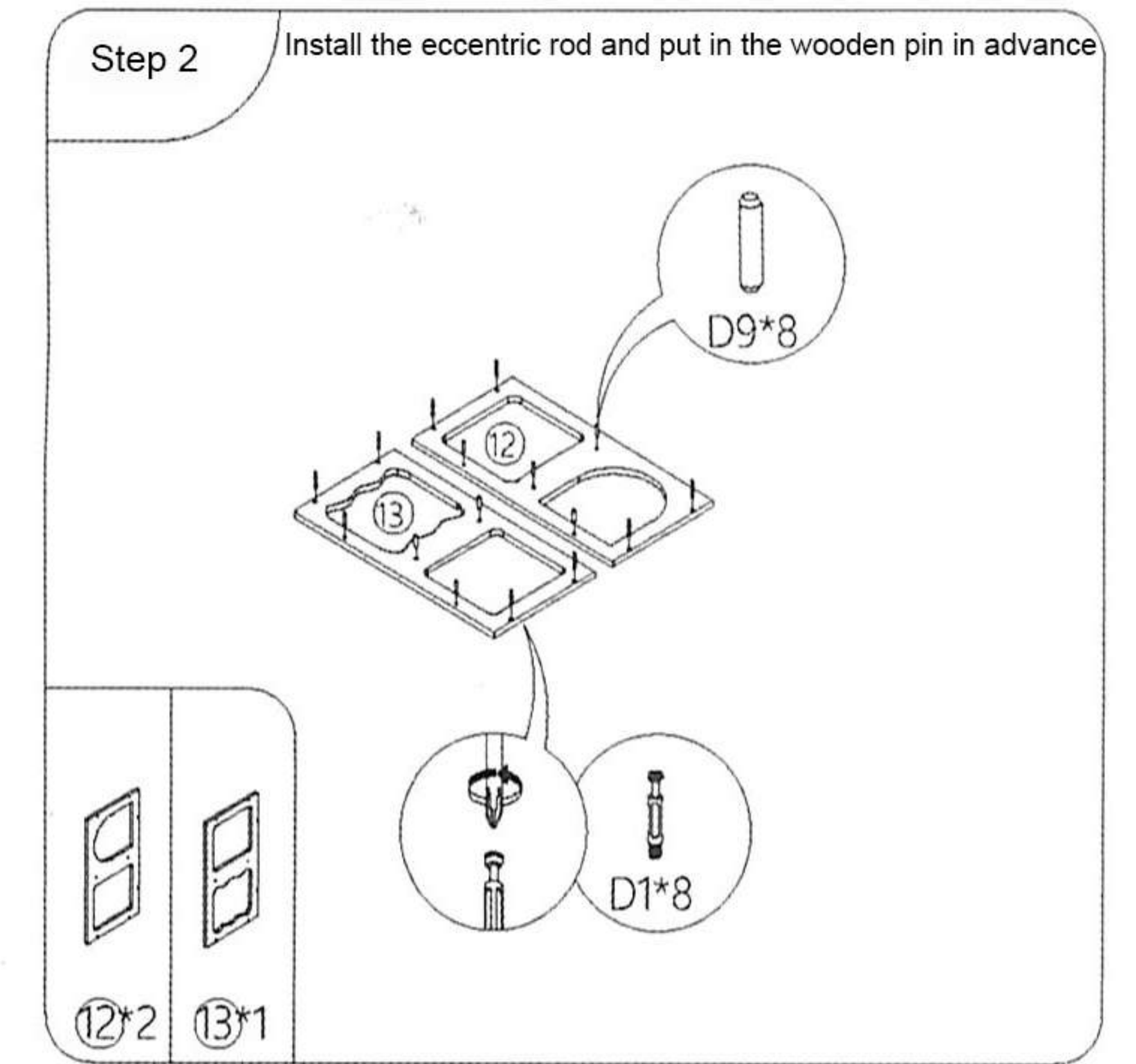
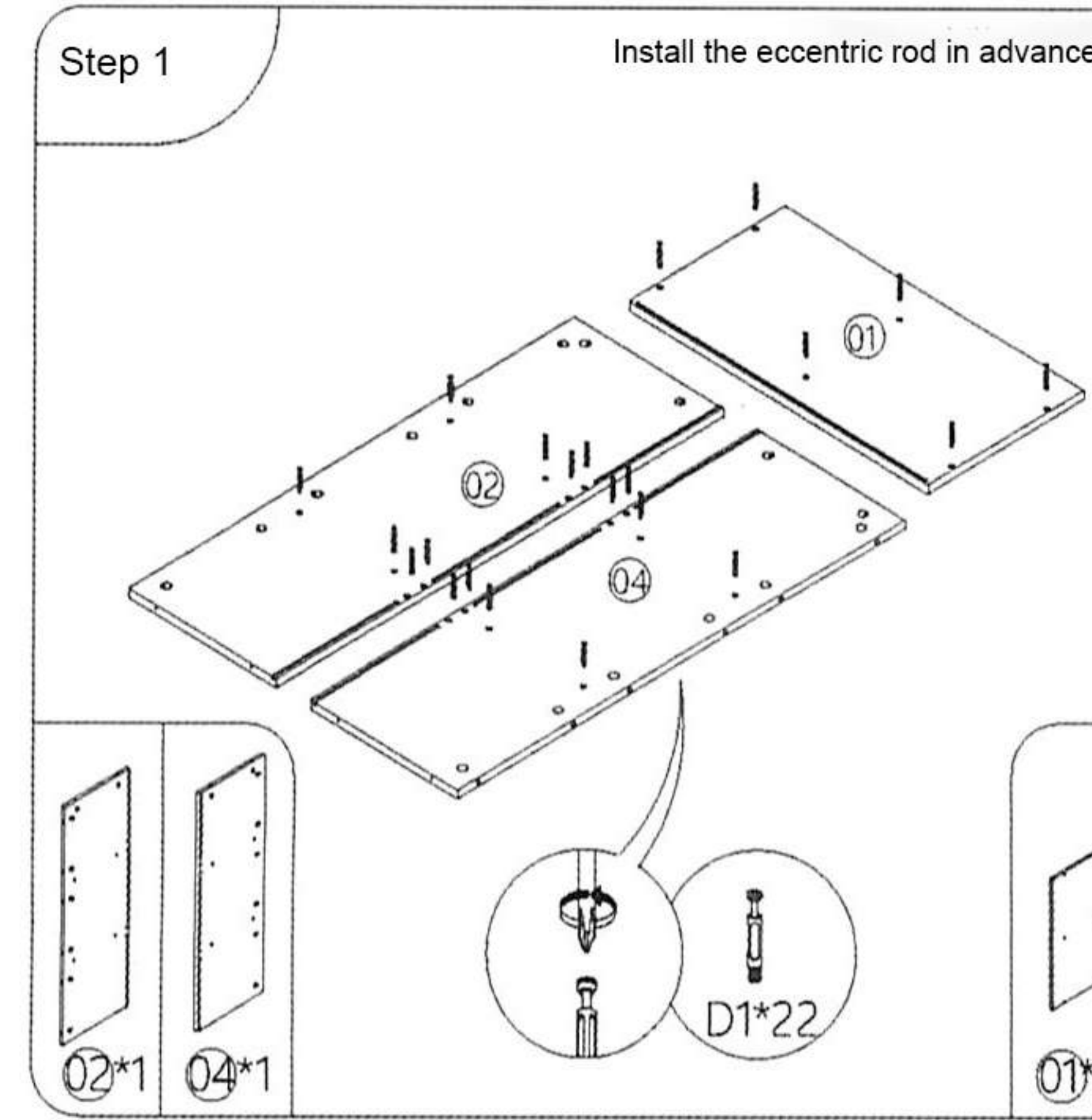


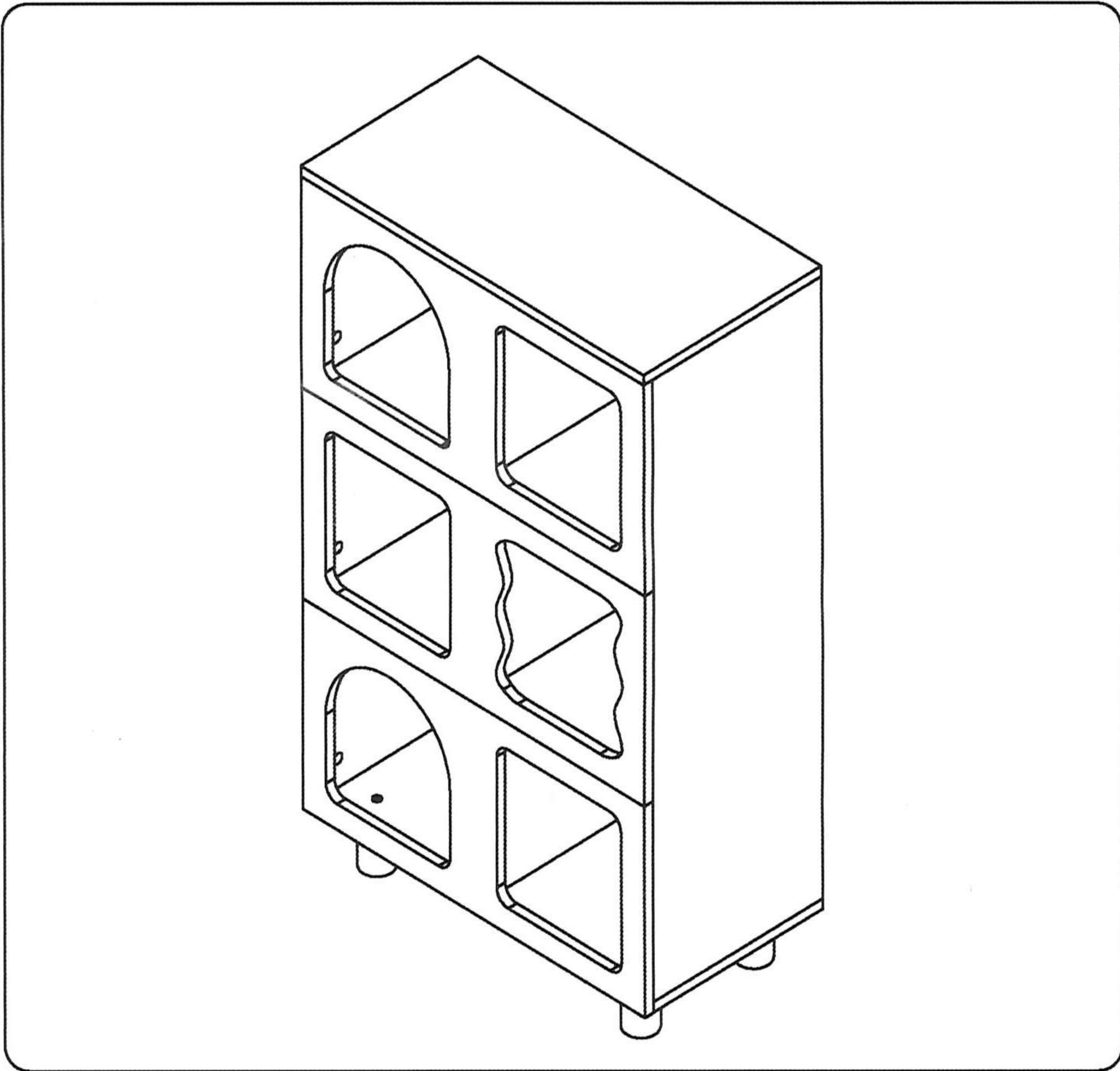
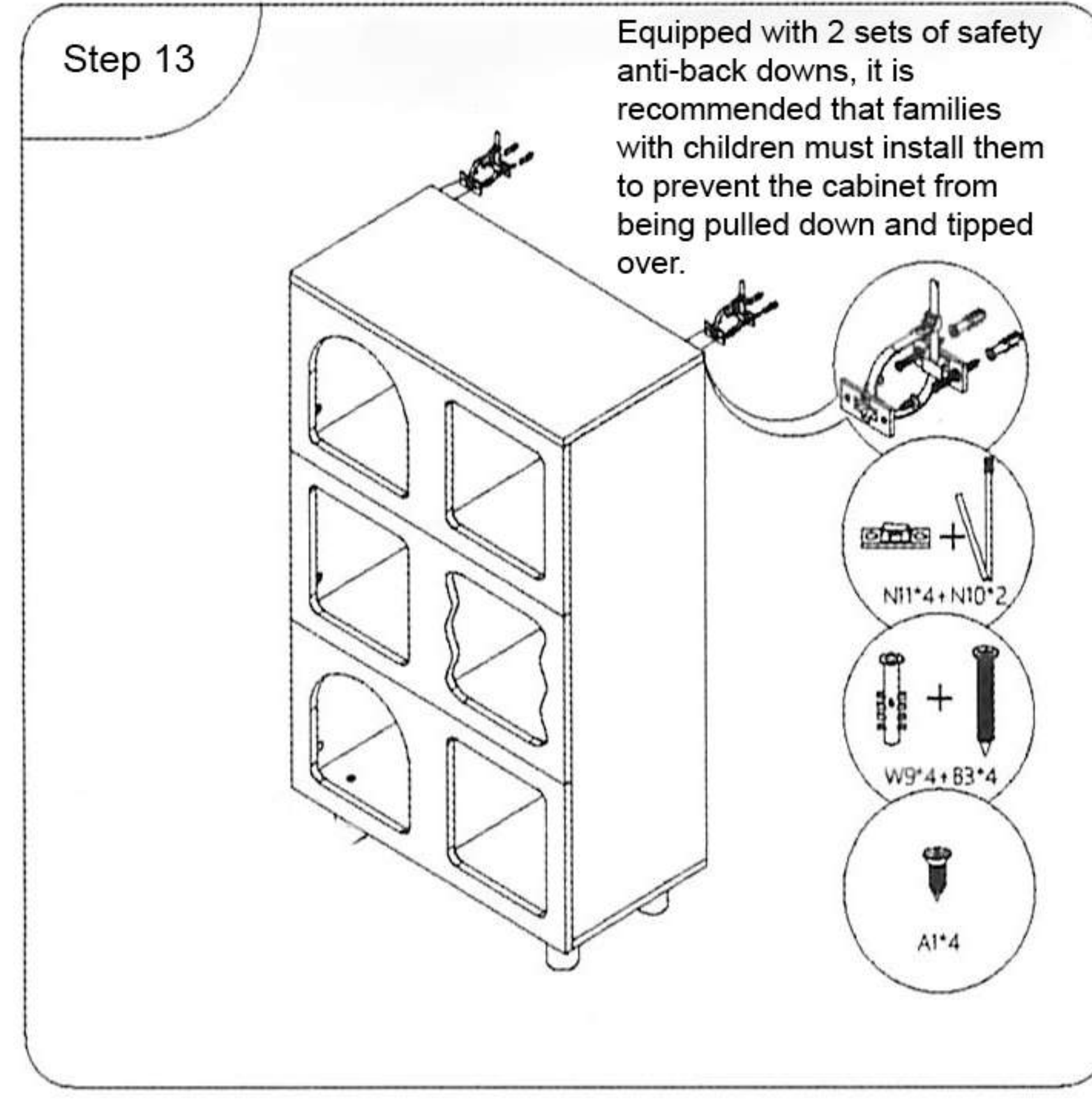
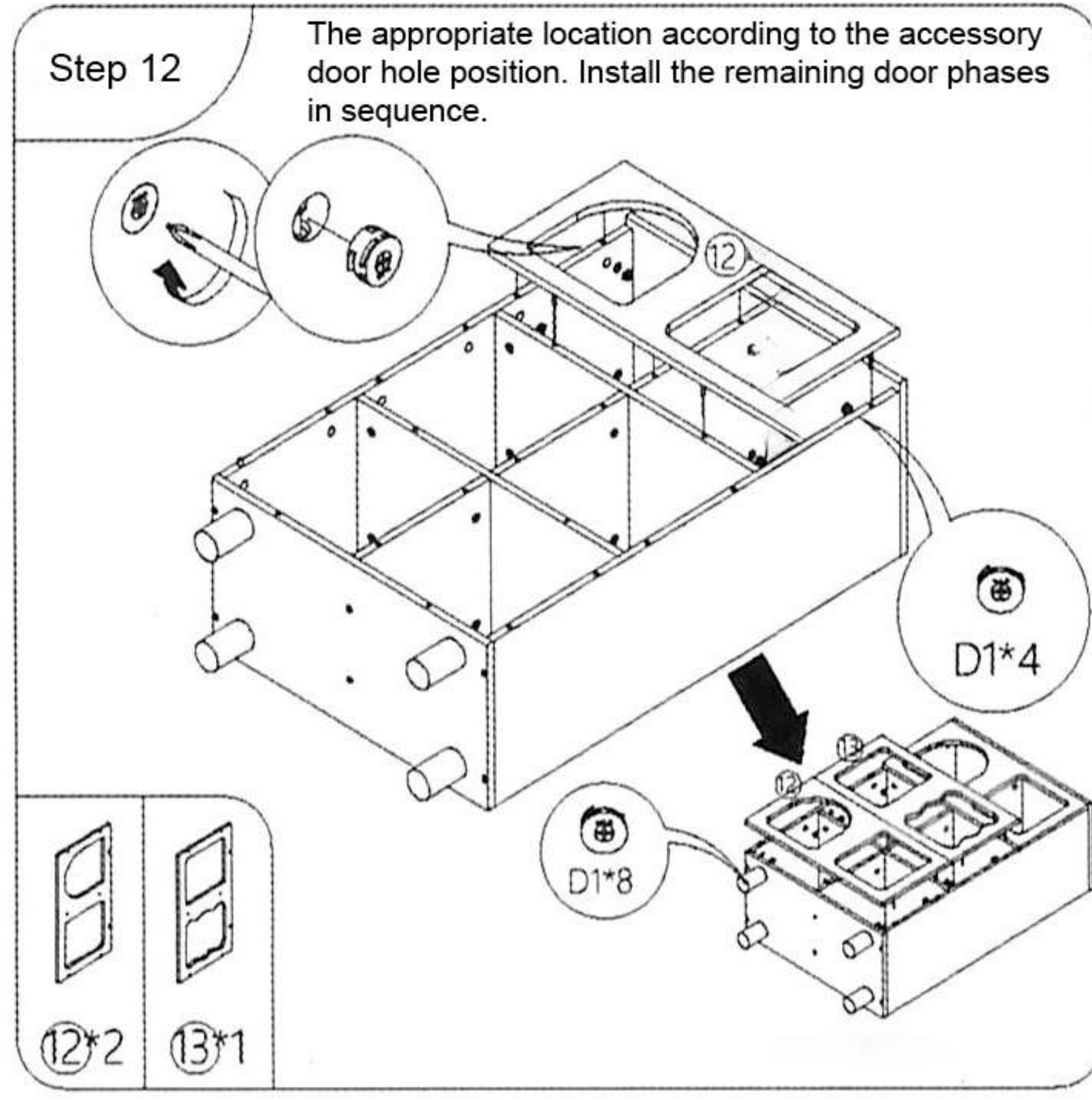
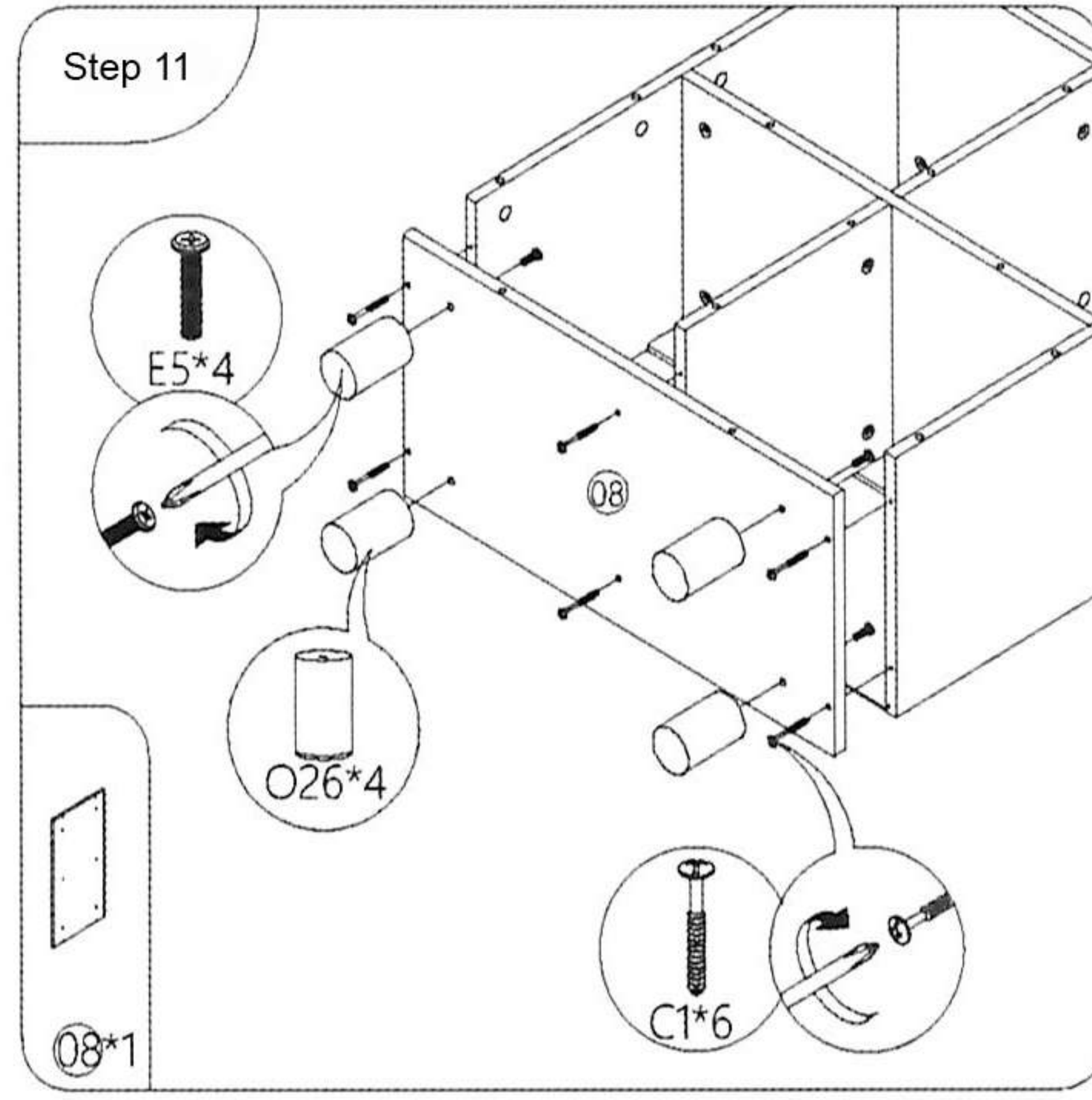
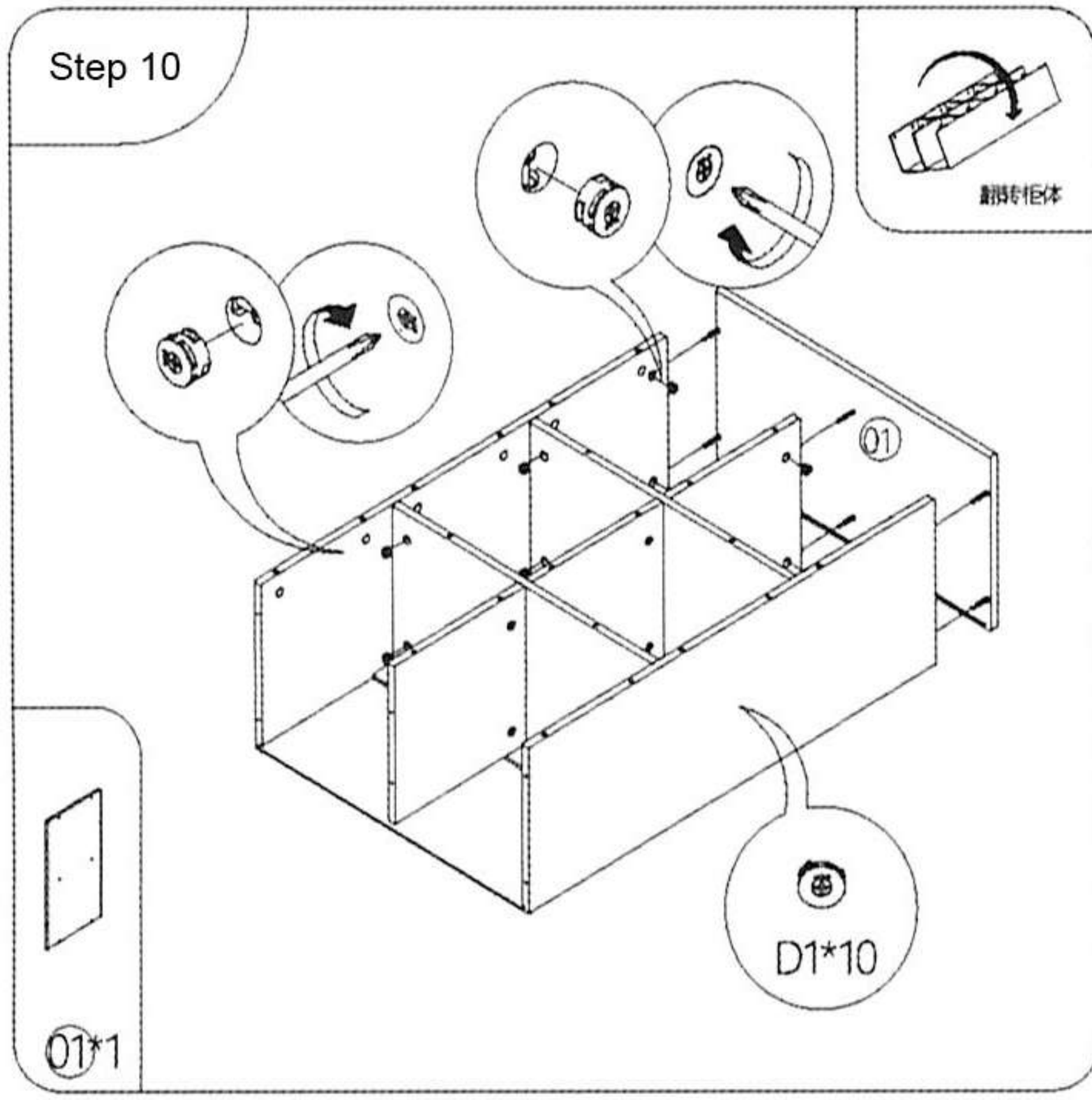
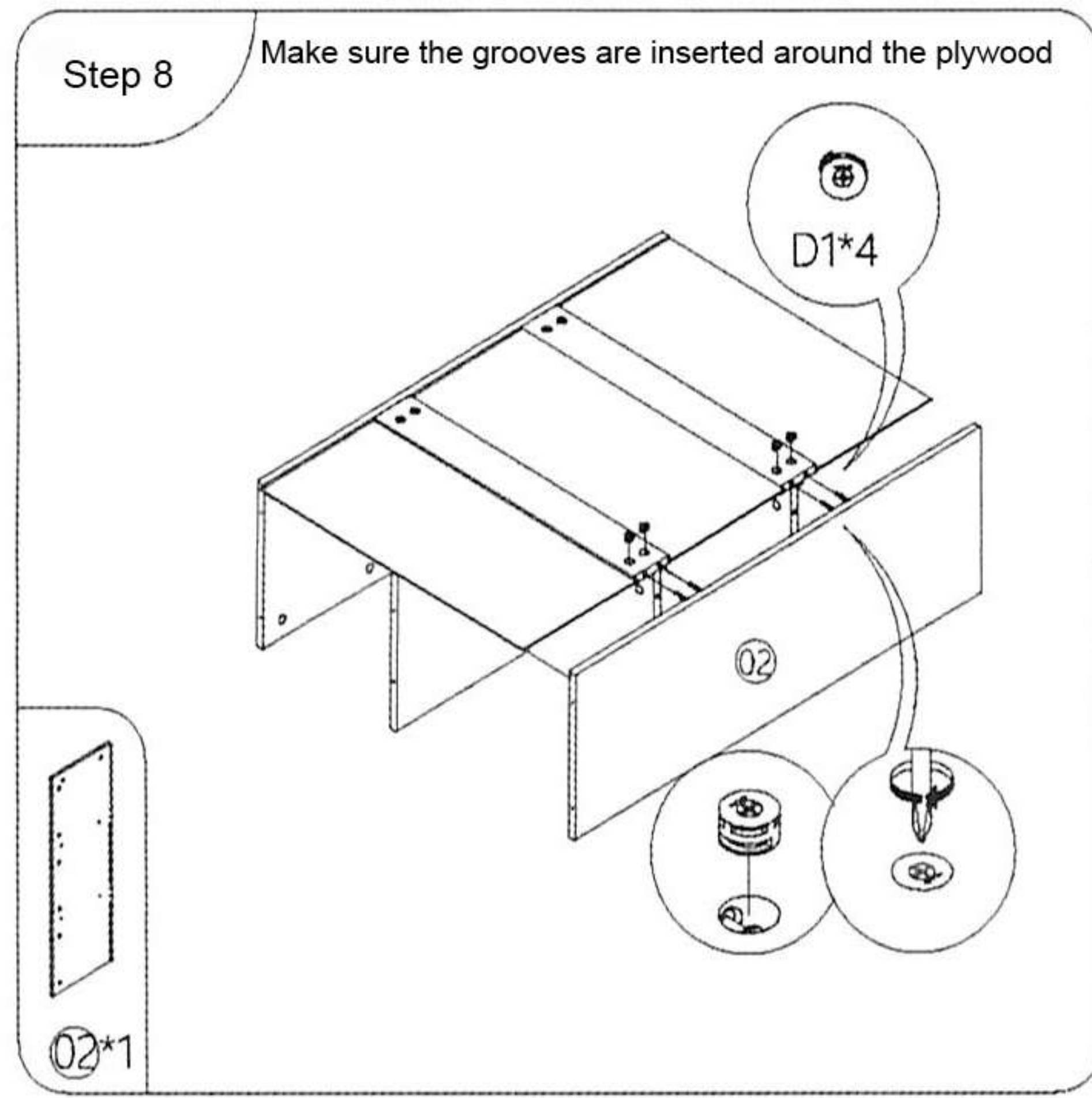
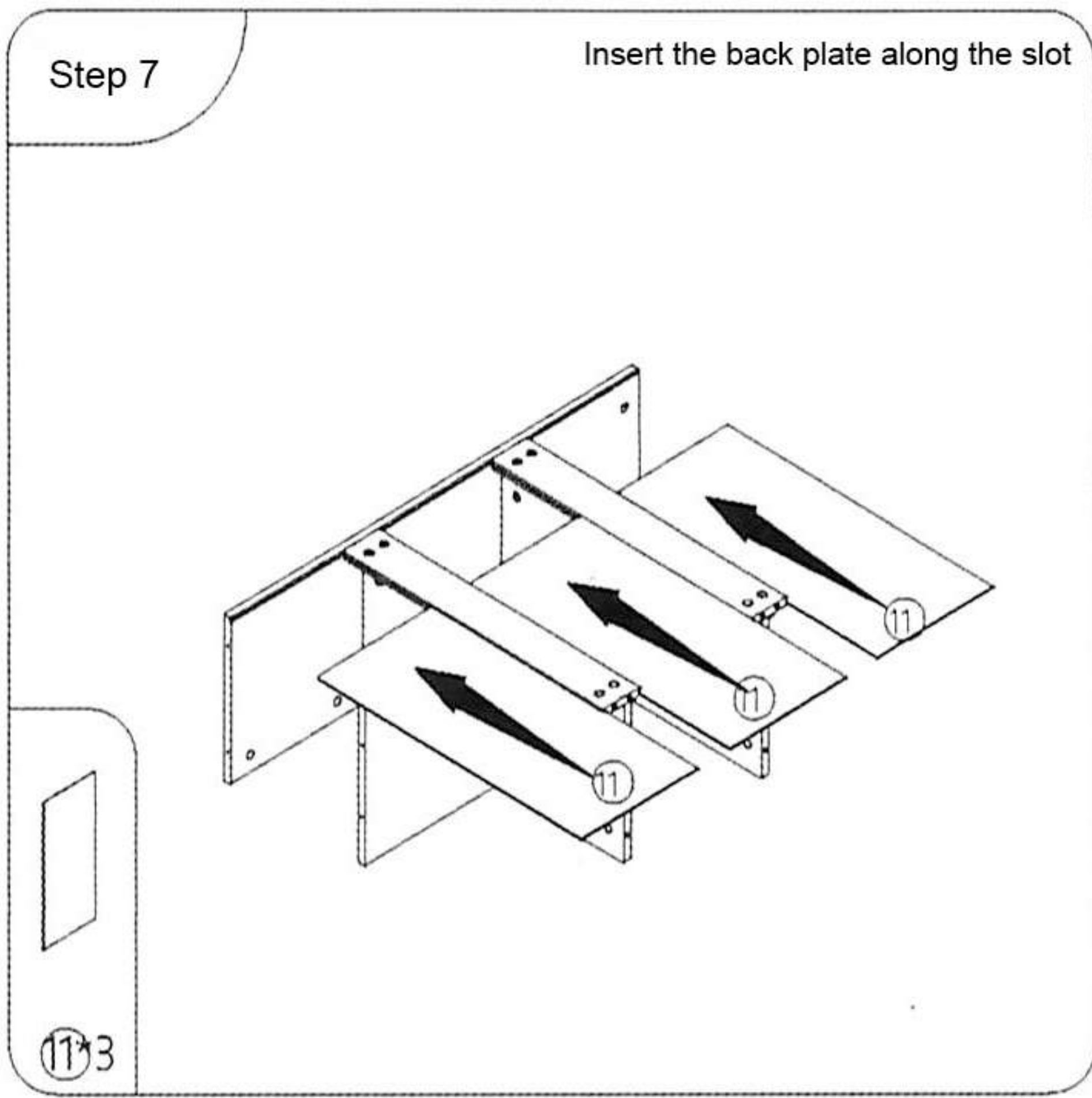
BS016 Installation Instruction

Please be sure to use a manual screwdriver and refrain from using an electric drill.



- ★ 1. Since the panels and screws are not universal, please read the instructions carefully before installation and distinguish each type of panels and screws.
- ★ 2. During the installation process, you need to carefully check the screws and install them according to the number of screws in each step to avoid omissions.
- ★ 3. During the installation process, pay attention to the direction of the hole position of the plate to avoid installing it backwards.





Safety instructions

- (1) Do not place this product in a place with moisture, high temperature, or near a fire source, and do not expose it to the sun or rain;
- (2) Place objects stably. Heavy objects should be placed at the bottom of the furniture to prevent the furniture from overturning due to unstable center of gravity;
- (3) Educate children not to get close to sharp corners of furniture/mirrors/glass; not to swallow hardware, plastic and other accessories to avoid harm to children;
- (4) In order to avoid the risk of suffocation to infants or children, please destroy the packaging immediately after disassembly or keep it away from infants and children.