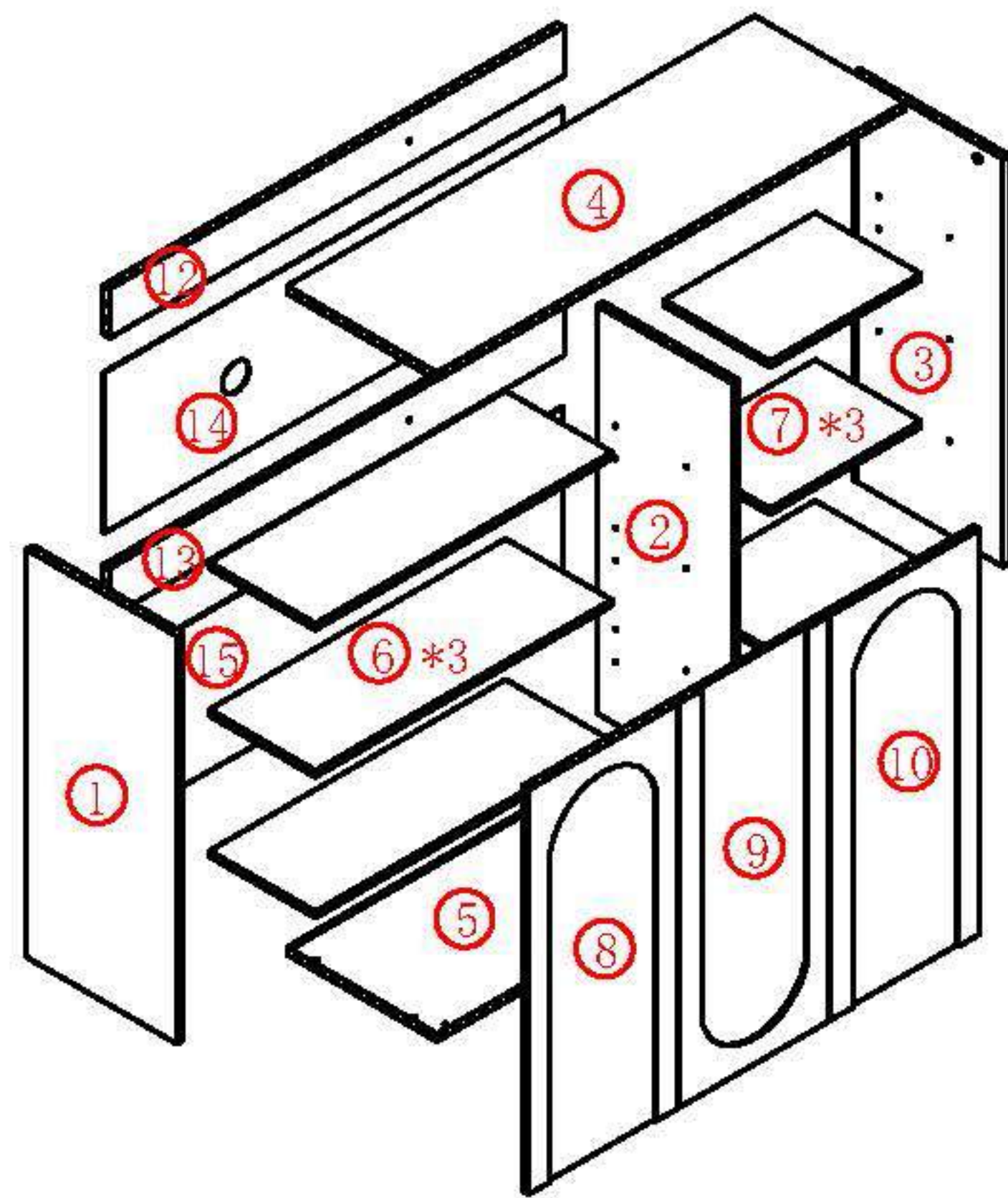
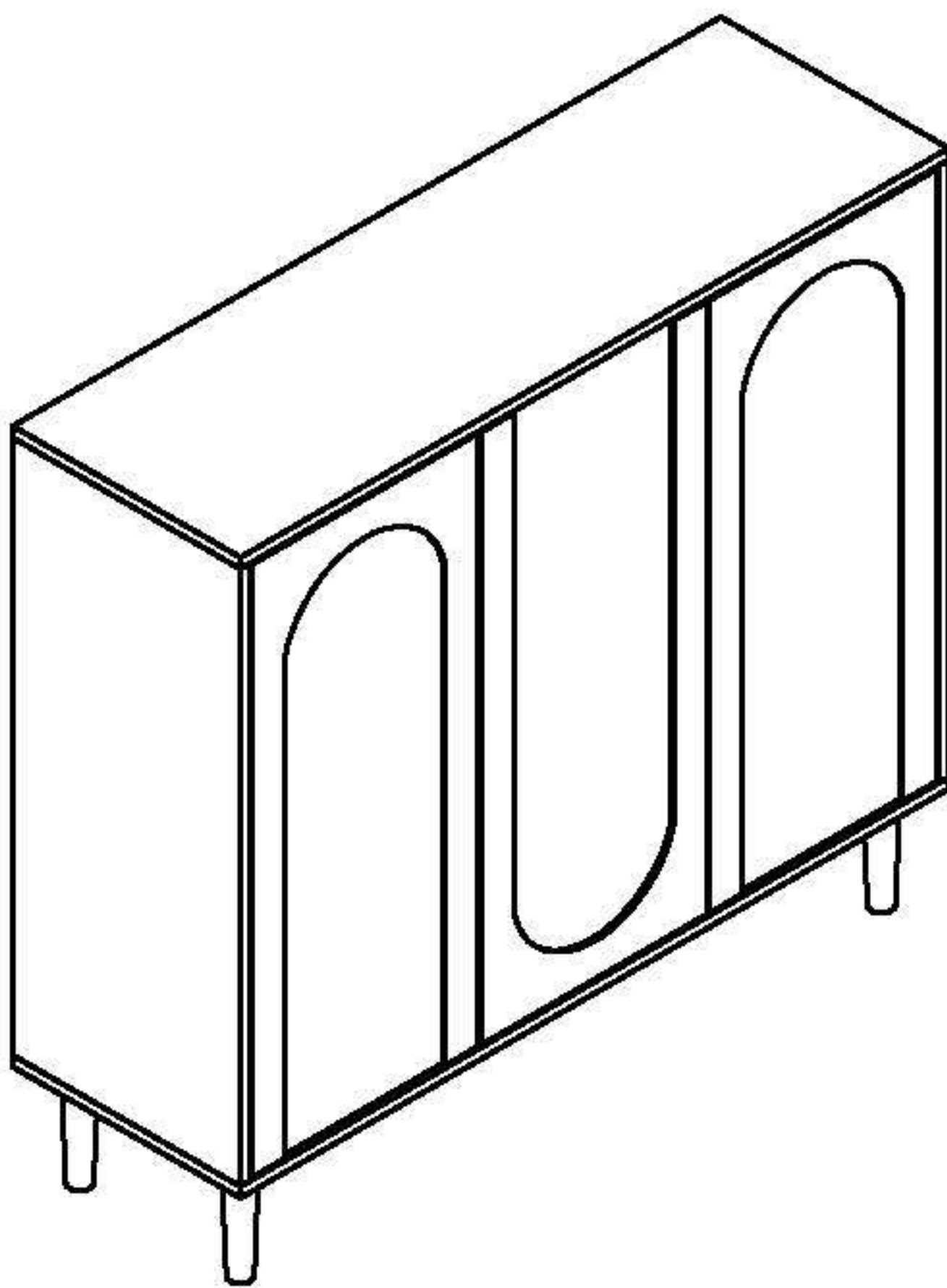


# SOCE029 106CM Installation Instruction

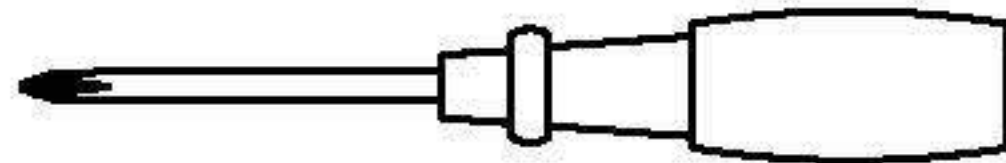
Please be sure to use a manual screwdriver and refrain from using an electric drill.



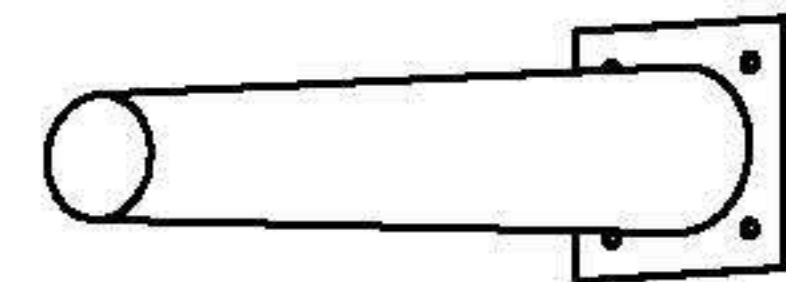
- ☆ 1. The panels and screws are not used. Please read the instructions carefully before installation and distinguish each panel components and screws.
- ☆ 2. When installing the towel, please tighten the screws to 70% first, and then tighten all the screws after all installation is completed.



Inner Hexagonal Wrench \*1



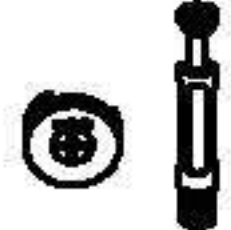
Screwdriver\*1



M44\*5



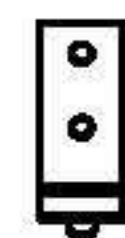
C6\*9



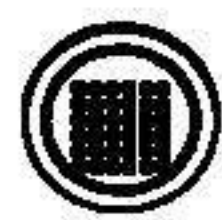
D0\*16



A2\*39



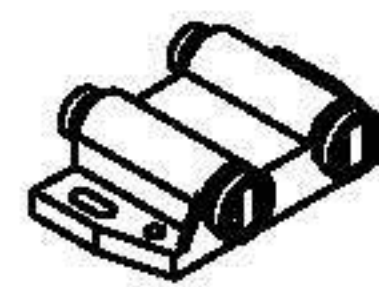
K2\*3



K11\*2



K0\*29



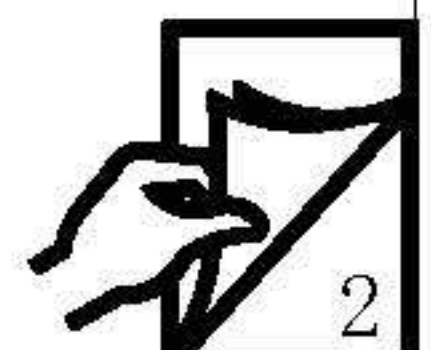
S32\*1



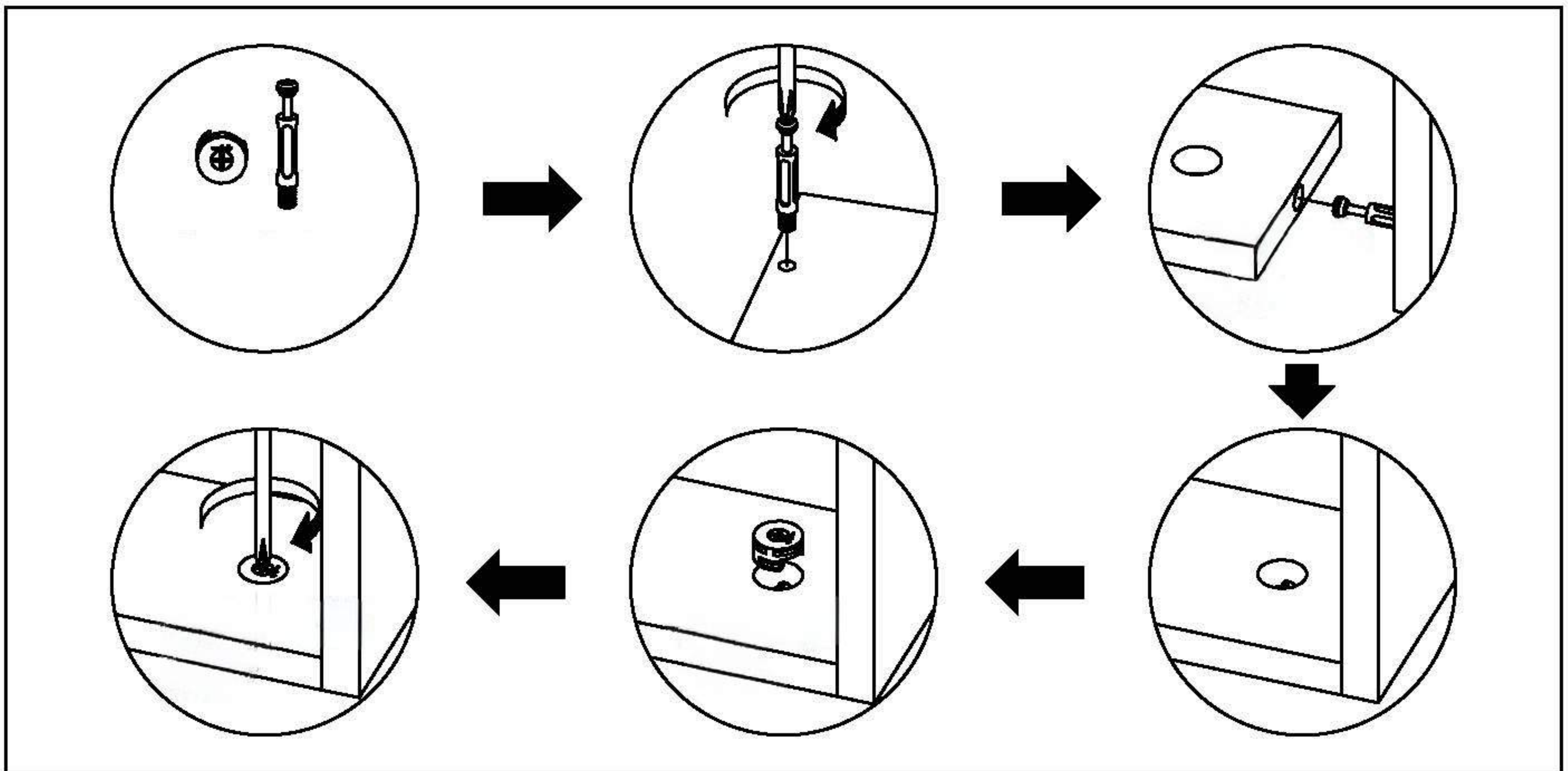
S33\*1



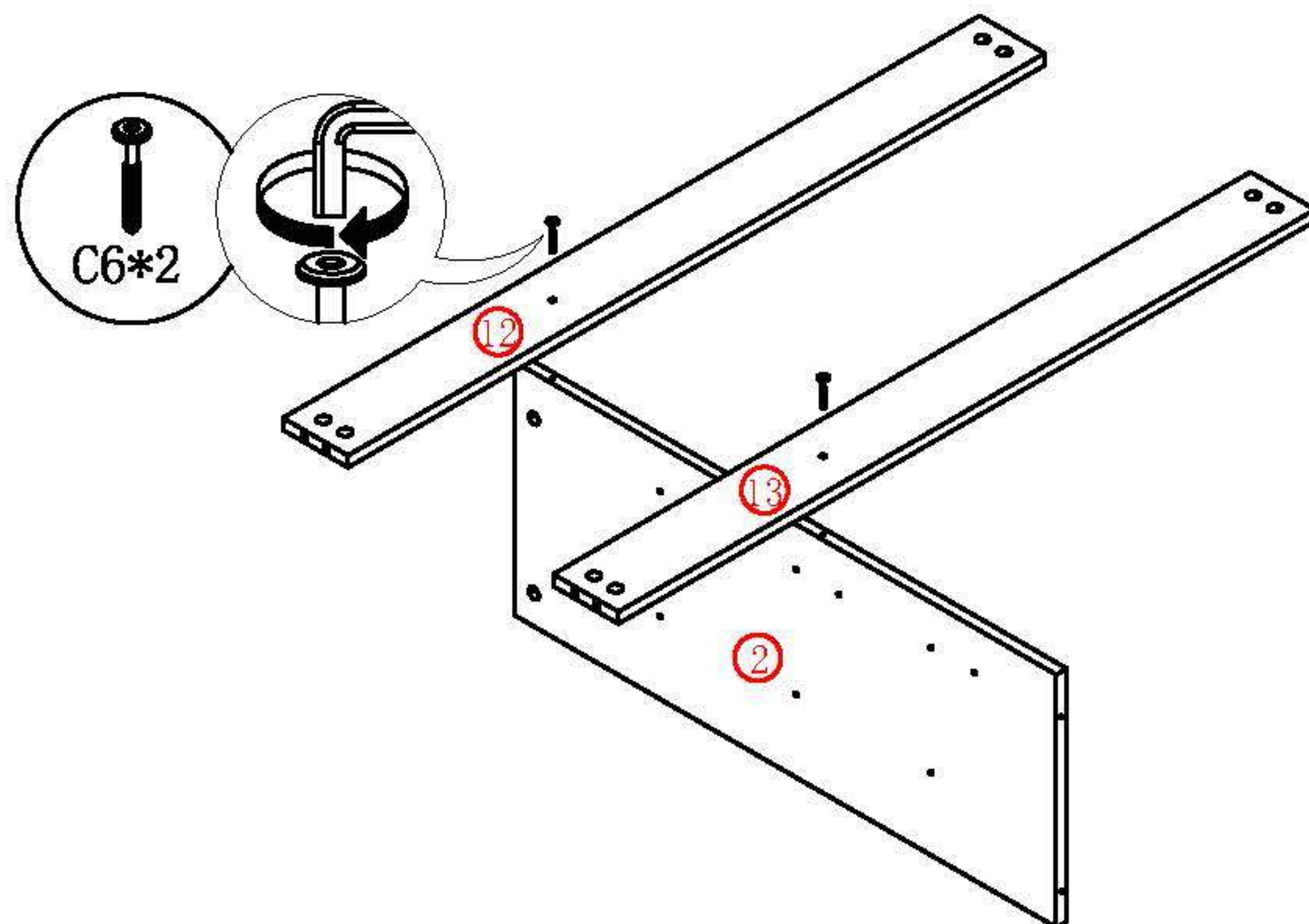
L19\*3



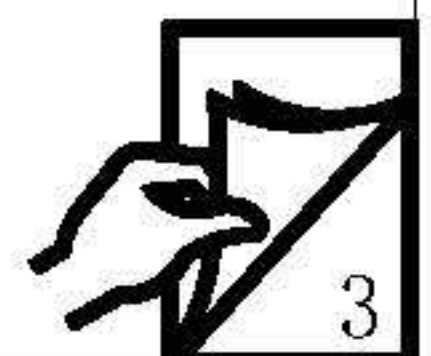
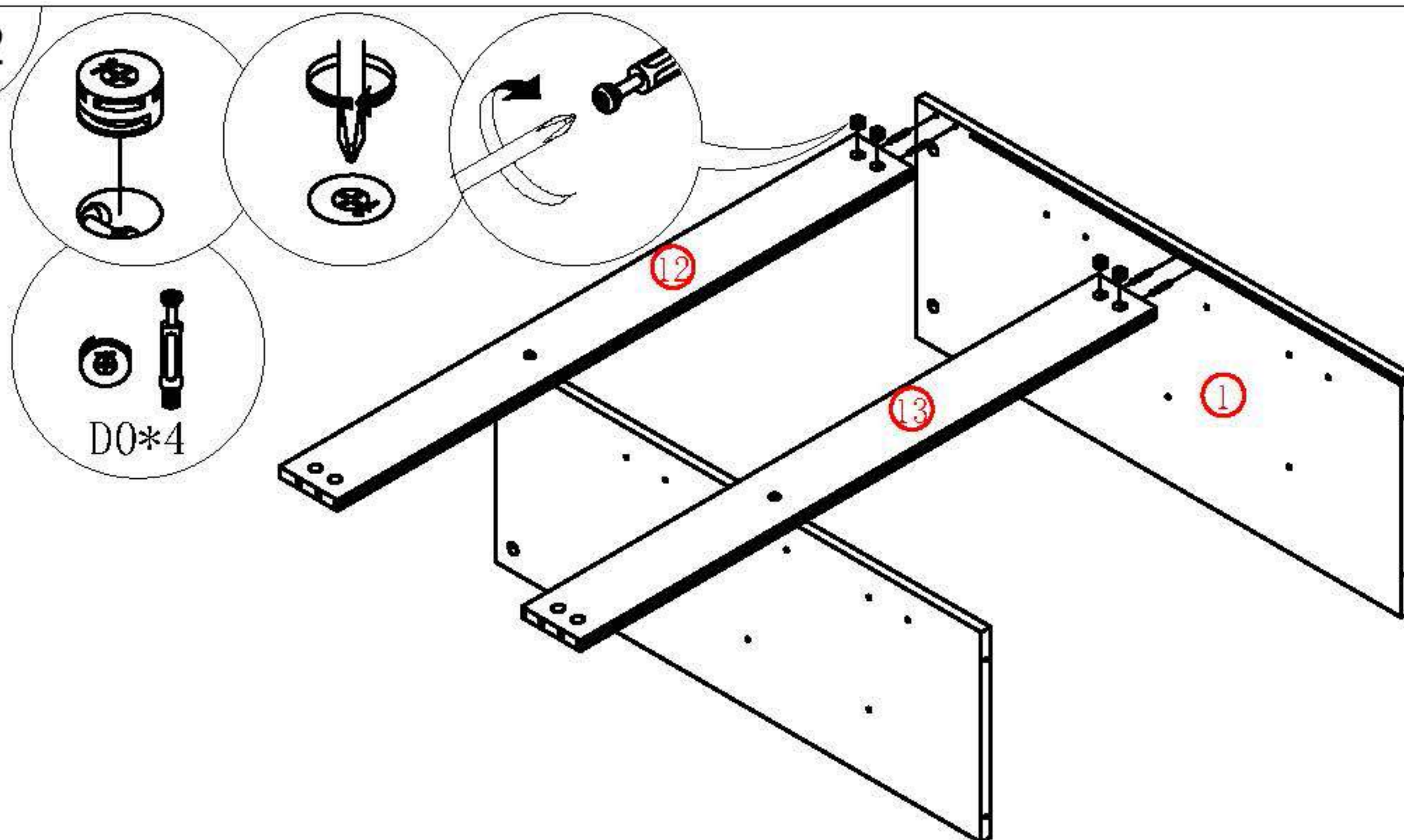




Step 1

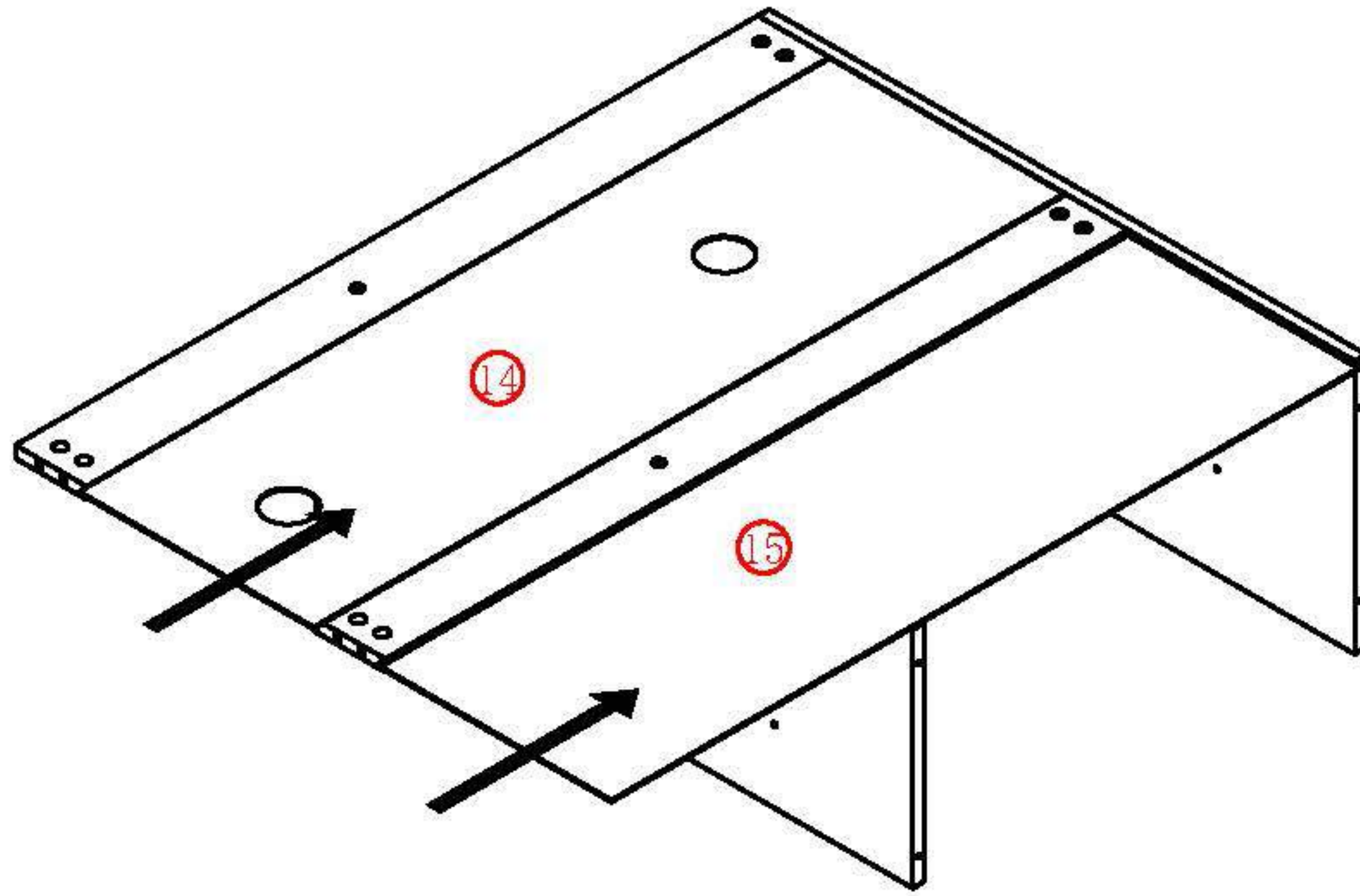


Step 2

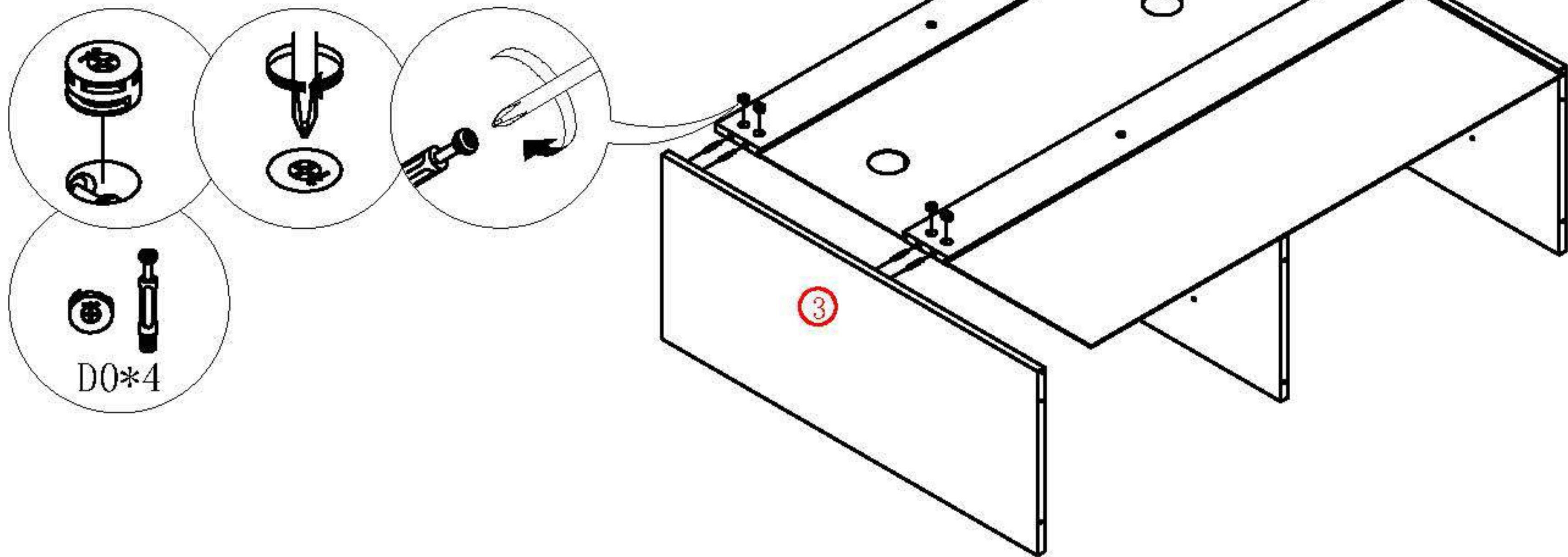




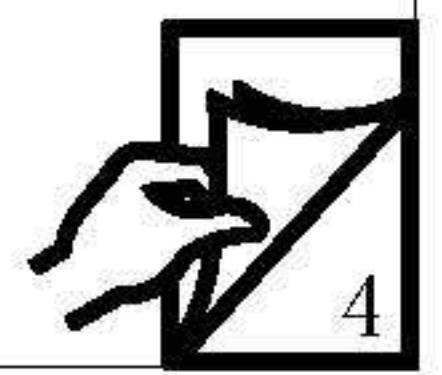
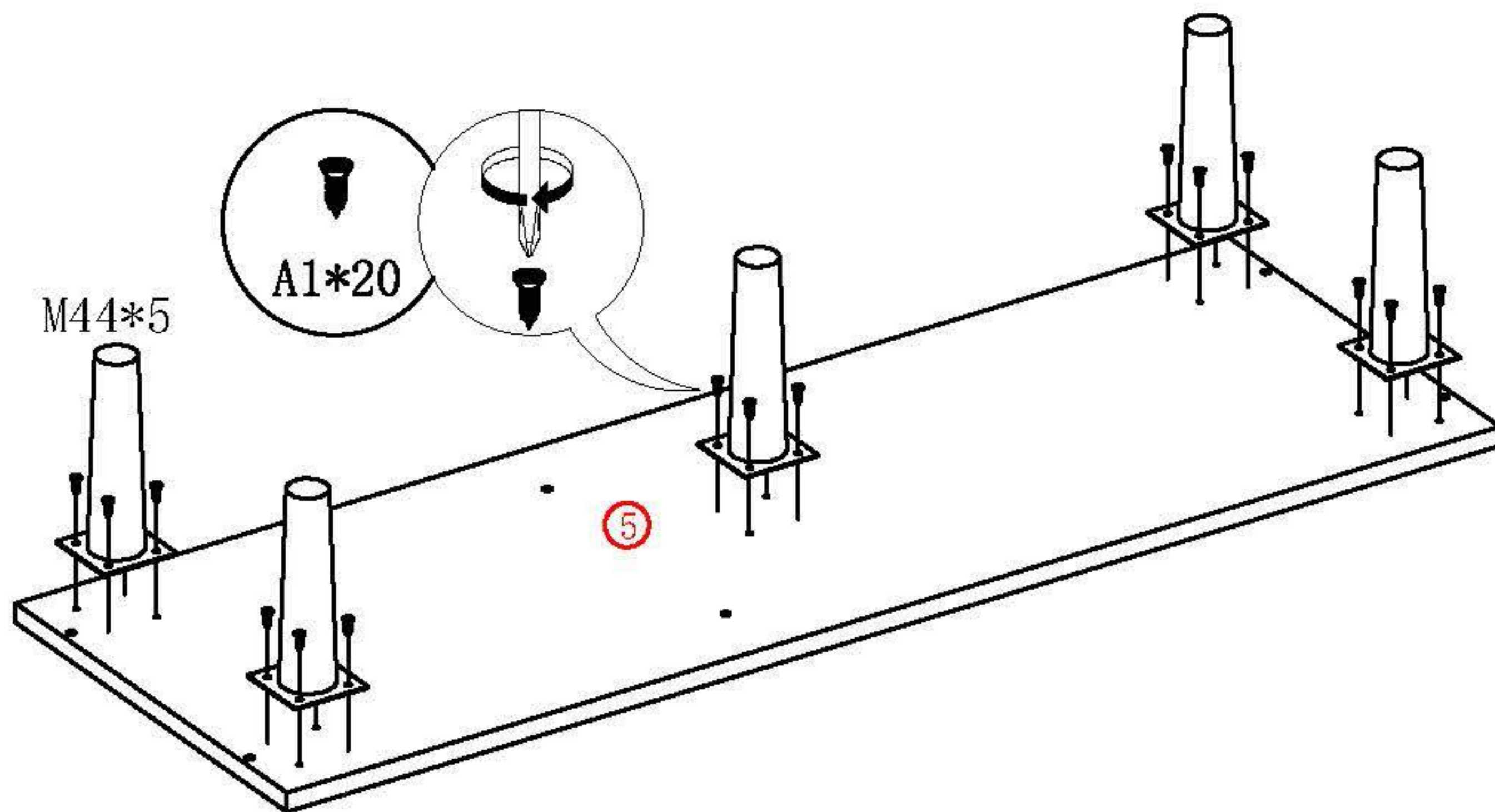
Step 3



Step 4

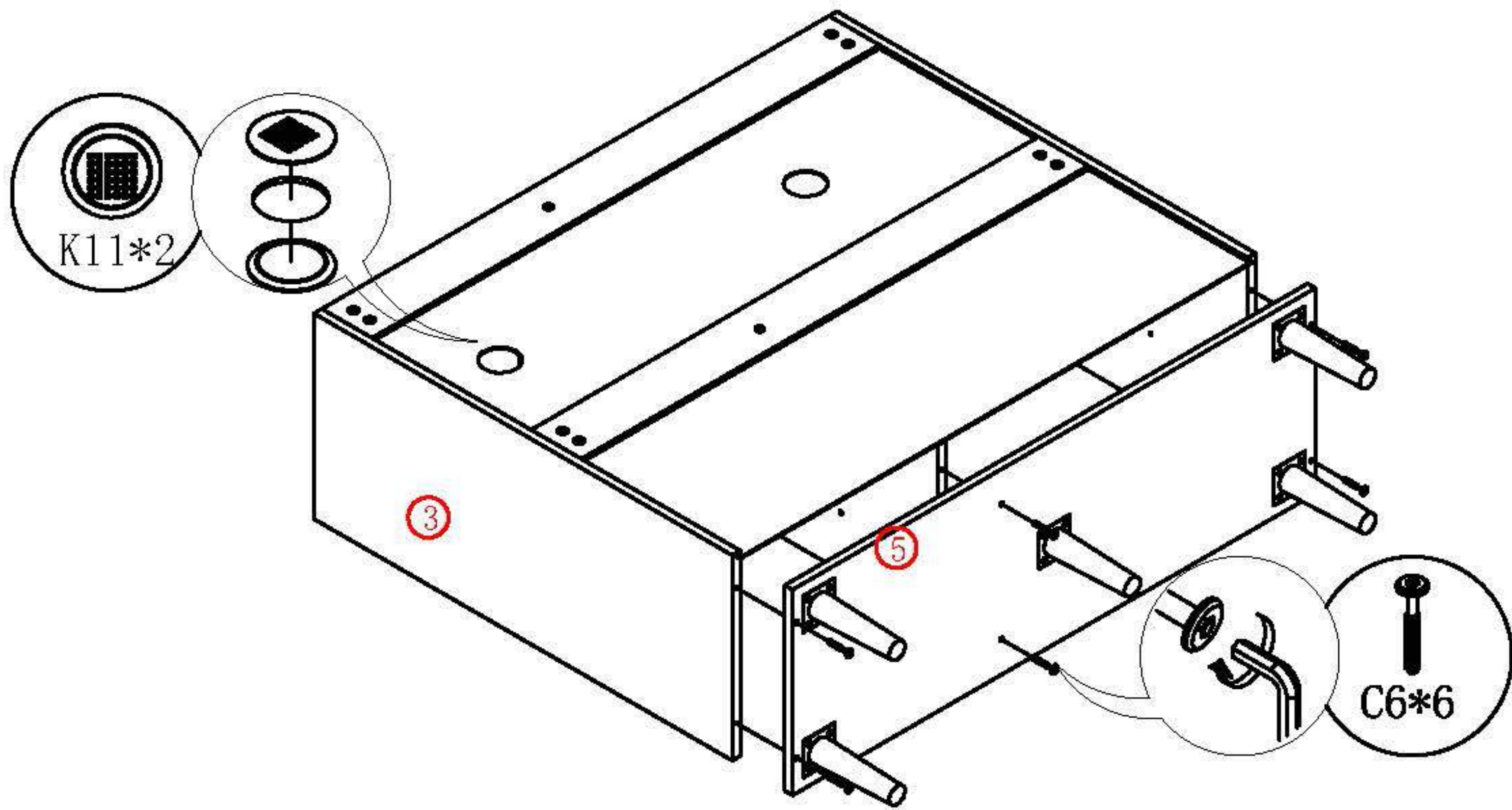


Step 5

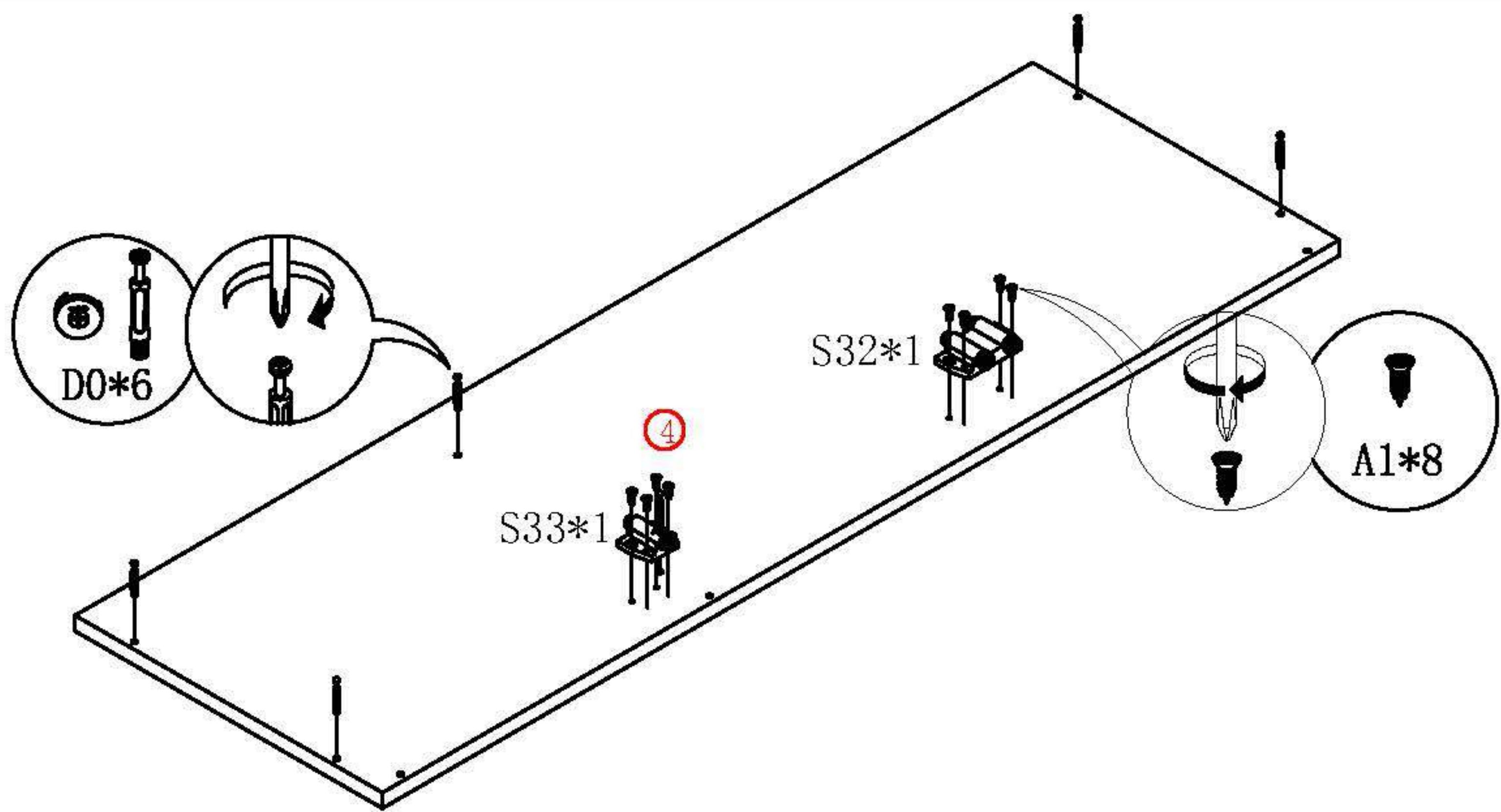




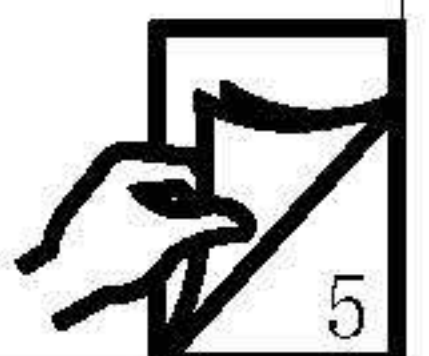
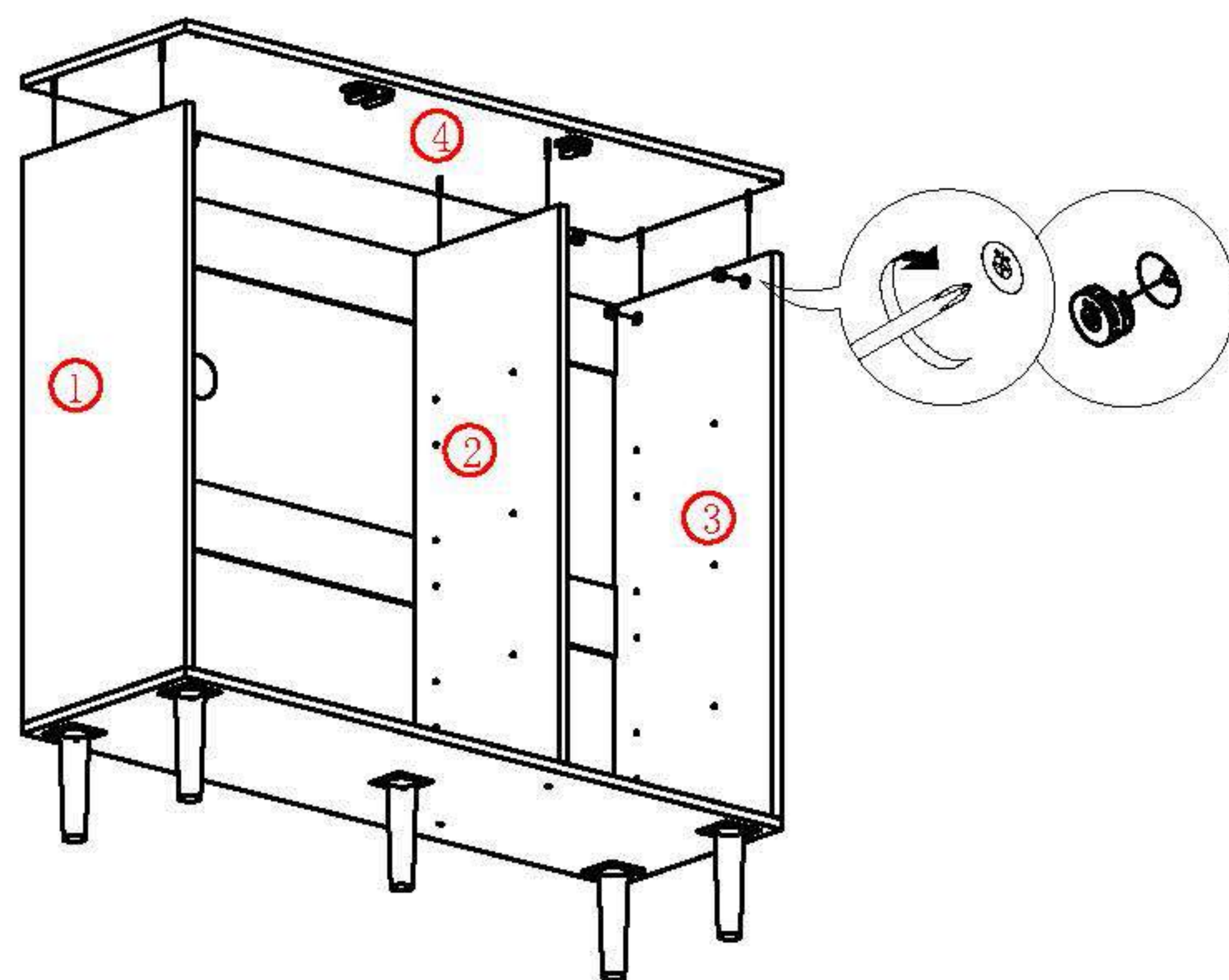
Step 6



Step 7

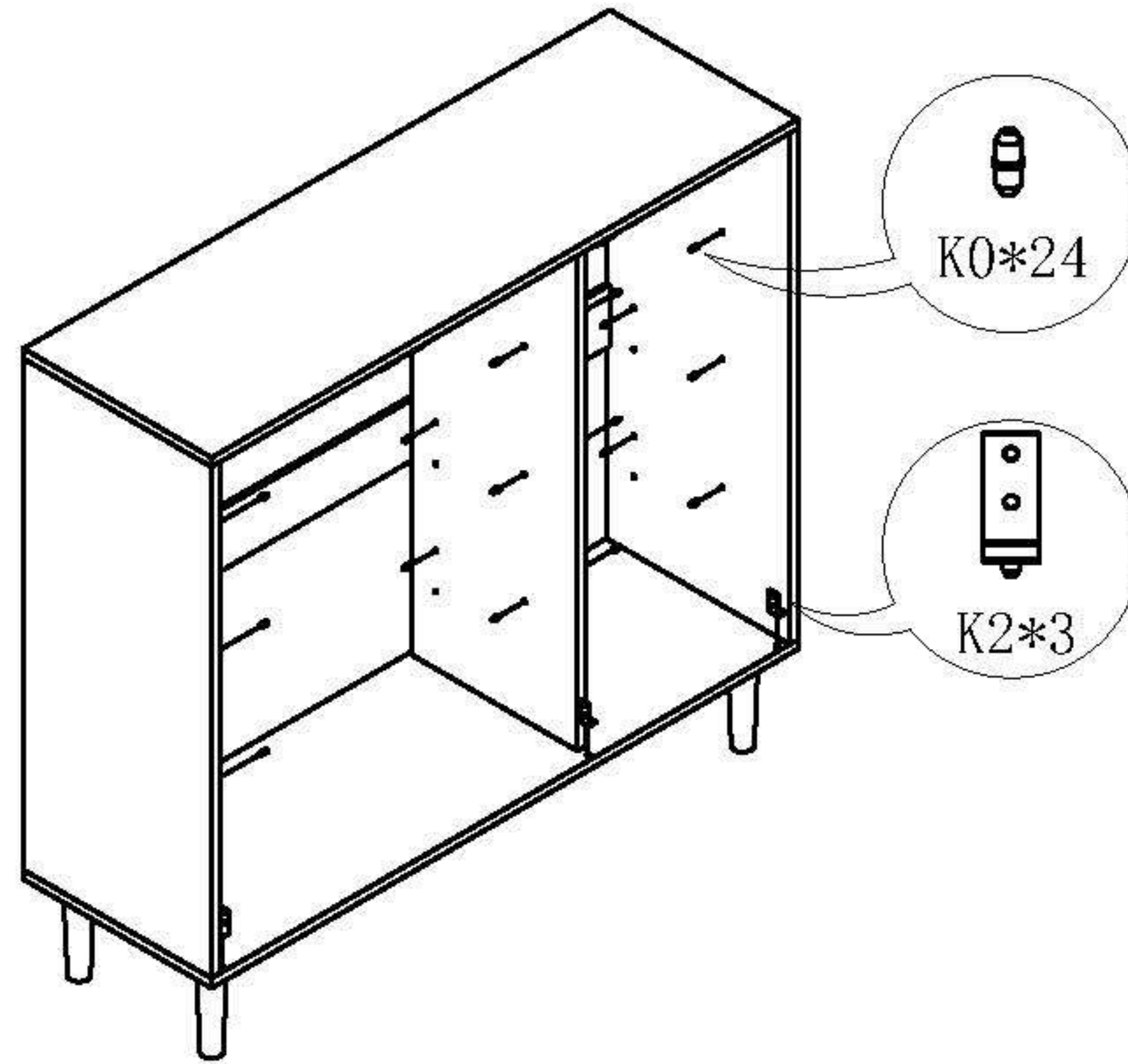


Step 8

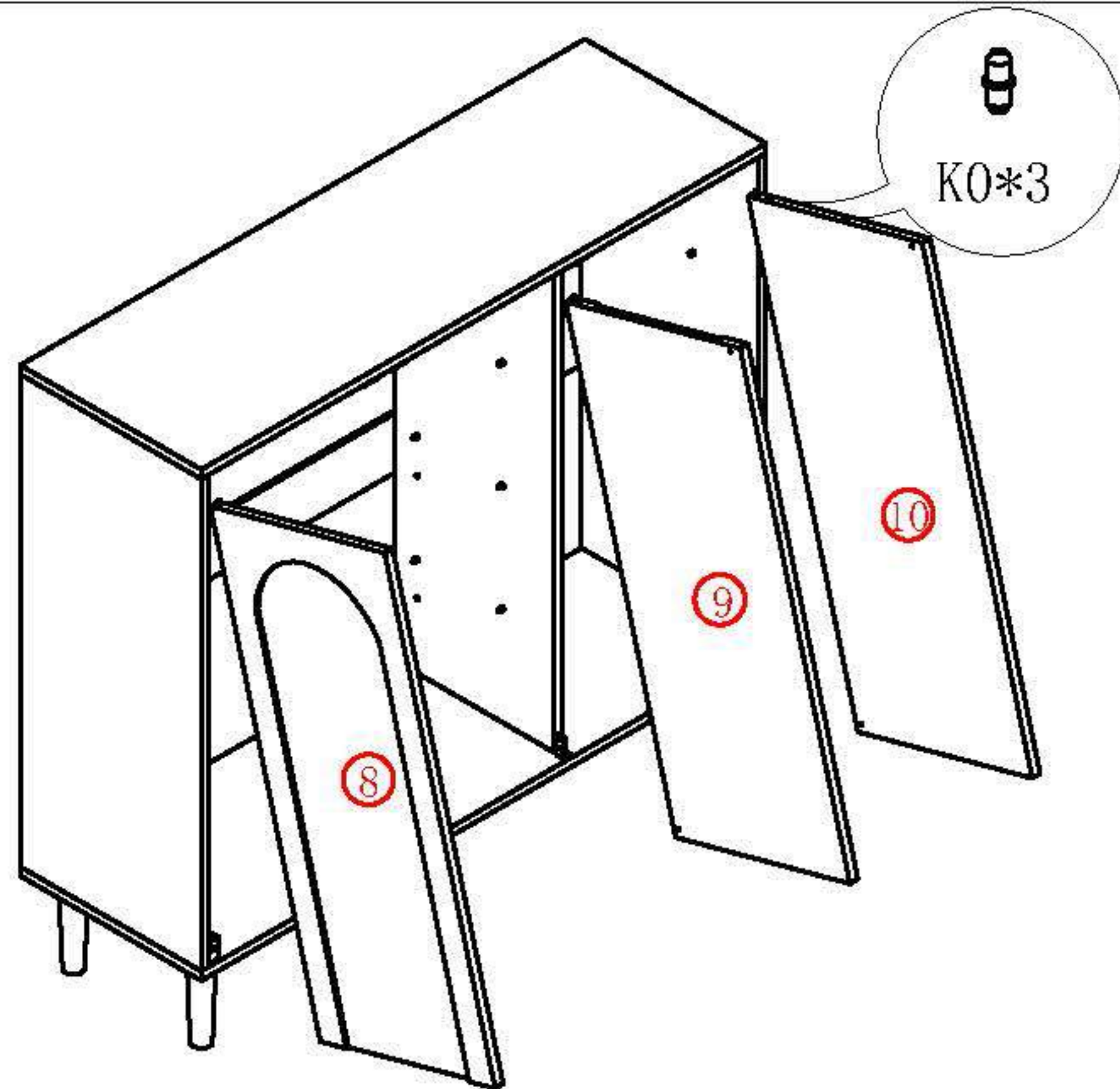




Step 9



Step 10



Step 11

