

SOCE049-140CM

Installation Instruction



Please read this instruction manual carefully before installation and use.



Please be sure to use a manual screwdriver and refrain from using an electric drill.

Assembly notes:

1. First, make sure that all panels and parts are not damaged or missing.
2. During the installation process, be careful not to bump or scratch the panel surface.
3. Please read the instructions carefully before installation and install in order.
4. Please use each screw accessory strictly according to the instructions.
5. The slide needs to be split into two parts when in use. For the splitting method, see the slide instructions.
6. Please keep the packaging box in case of any problems. You can check the product model and production batch number printed on the outside of the packaging box.

Precautions after assembly:

1. After installation, check whether all parts are installed and the locks are locked.
2. Check the overall stability of the cabinet to see if there is any vibration.
3. When using the lock, do not use excessive force to avoid damage to the lock. Just turn it clockwise until it cannot turn.

Hardware List

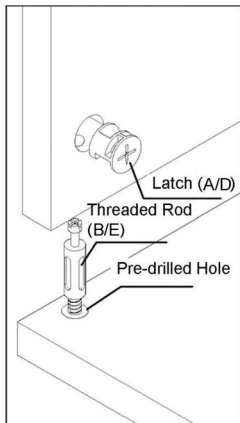
Accessory Appearance	Code	Dimensions	Quantity	Unit	Accessory Appearance	Code	Dimensions	Quantity	Unit
	A	∅15*12mm	71	pc		K	∅7*38mm	3	pc
	B	∅7*40mm	67	pc		L	∅8*40mm	44	pc
	C	12mm	2	pc		M	∅6*40mm	10	pc
	D	∅12*10mm	16	pc		N	∅10*22mm	24	pc
	E	∅5*15mm	16	pc		O	120mm	4	pc
	F	∅3.5*12mm	32	pc		P	120mm	1	pc
	G	∅3.5*40mm	16	pc		Q		2	pair
	H	∅3.5*14mm	48	pc		R		2	pair
	I	∅6*40mm	9	pc		S	240mm	4	pair
	J	∅6*80mm	2	pc					

Plate List

Code	Dimensions	Quantity	Code	Dimensions	Quantity	Code	Dimensions	Quantity
①	1325*43*24	2	⑨	686*292.5*15	1	⑰	268.5*88*15	2
②	795*43*24	2	⑩	667.5*281.5*12	6	⑱	288.5*244*4	2
③	341*38*38	4	⑪	335.5*545.5*15	2	⑲	279.5*244*4	2
④	1324*296.5*23	1	⑫	335.5*534.5*15	2	⑳	1352*274.5*12	3
⑤	1324*296.5*23	1	⑬	335.5*151.5*15	2	㉑	1352*292.5*15	1
⑥	794*296.5*23	2	⑭	335.5*140.5*15	2	㉒	122*276.5*15	1
⑦	1352*61.5*15	1	⑮	250*88*15	8			
⑧	122*292.5*15	2	⑯	277.5*88*15	2			

Installation Guide: Threaded Rod, Latch, Pre-drilled Hole

A + B is large, D + E is small



1. Screw the B/E (Threaded Rod) into the Pre-drilled Hole
2. Insert the installed B/E into the corresponding hole of the other piece. Press A/D (Latch) into the hole. Note that the cross arrow corresponds to the insertion direction of the Threaded Rod.
3. Use a cross screwdriver to tighten Latch clockwise. Be careful not to use excessive force.

S (Sliding Rail) Installation Instructions

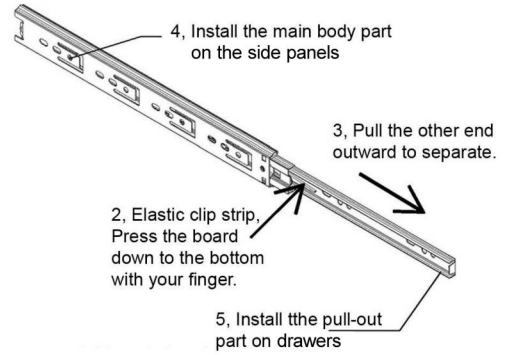
When installing S, use with screw F

1, Separate S (Sliding Rail)



The main body part

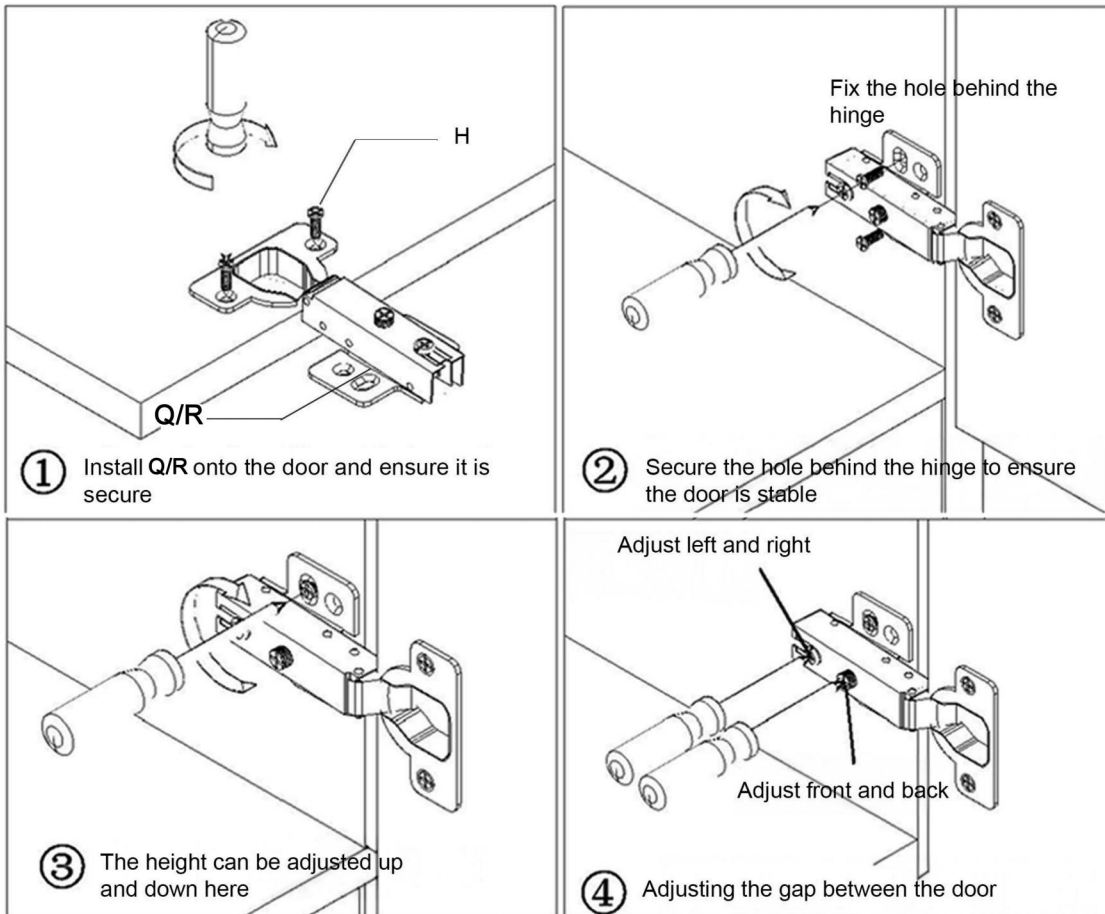
The pull-out part

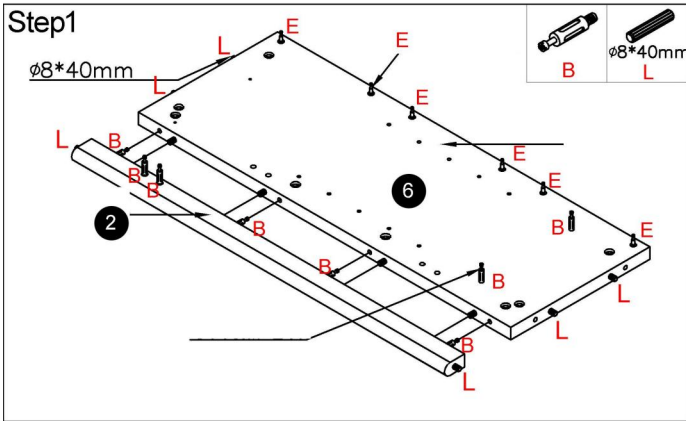


Detailed description of the main components, please read carefully

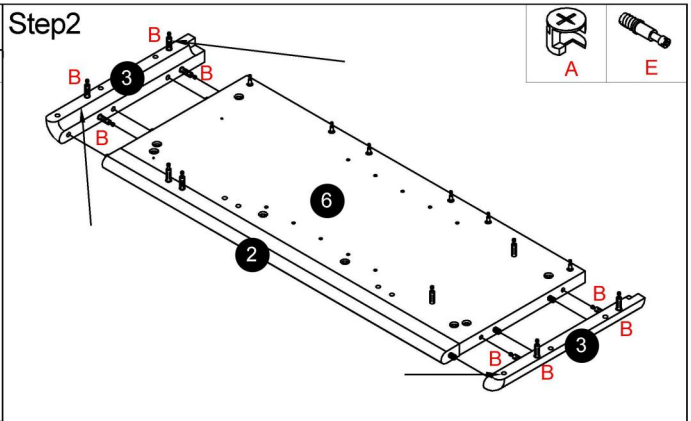
Q/R (Hinge) Installation Instructions

Install the hinge with screw H

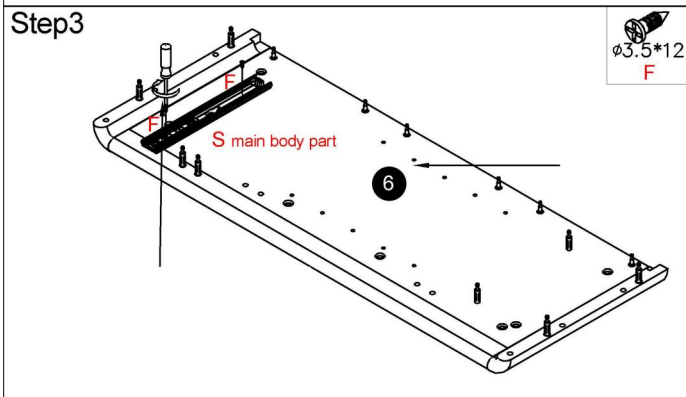




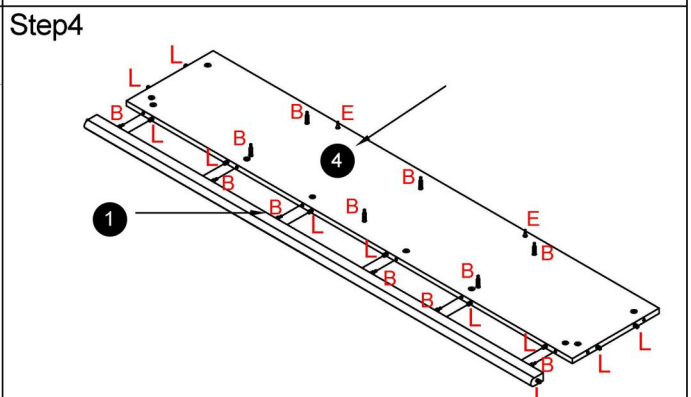
Connect part 6 to part 2.



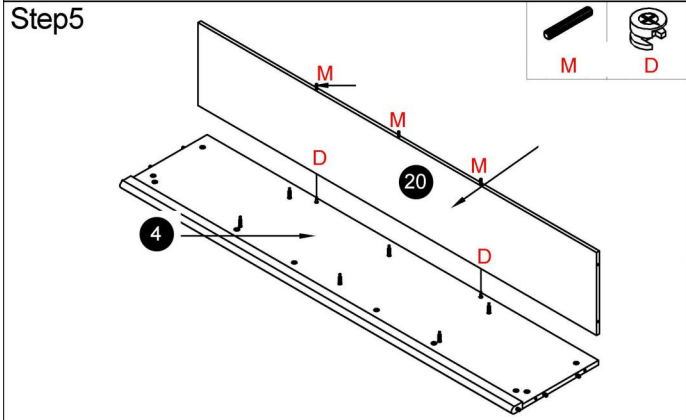
Connect part 3 to part 6, using A to lock it.



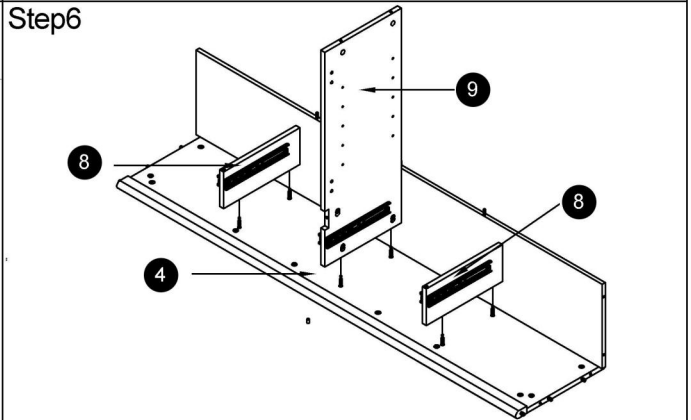
Follow the slide rail instructions to separate the rails. Use F to attach it to the small holes on part 6. If the ball bearings cover the holes, just slide them to access.



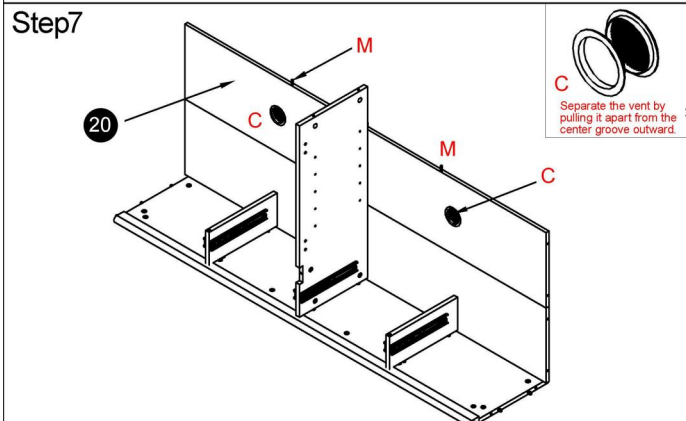
Connect part 1 to part 4, and lock it with A.



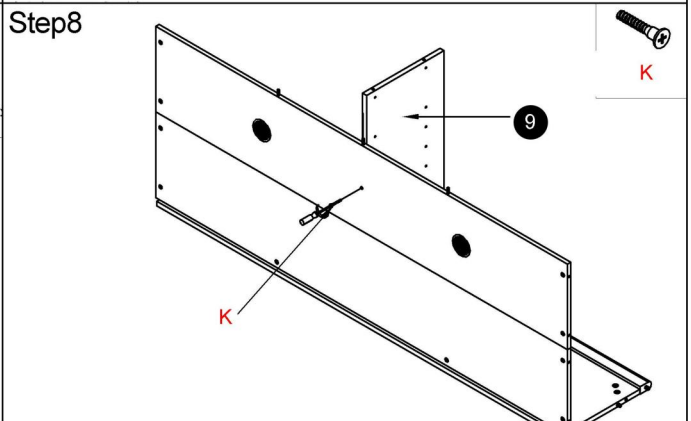
Connect part 20 to part 4, and lock it with D.



Assemble parts 4, 8, and 9, and secure them with A

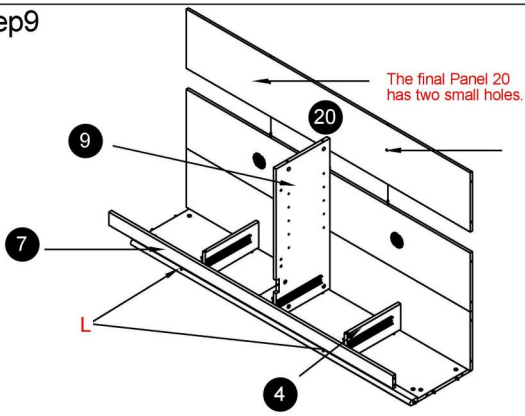


Connect and secure part 20. Install part C into the hole before assembling the rest



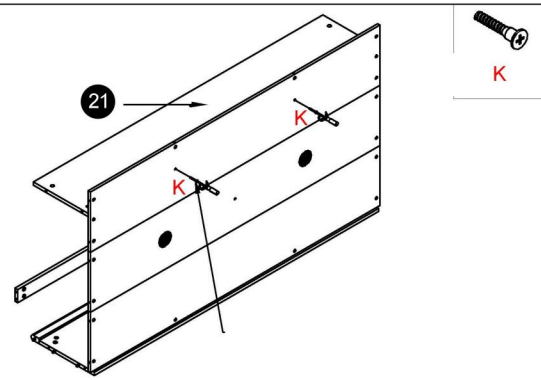
Insert part K through the back of part 20 to secure part 9.

Step9



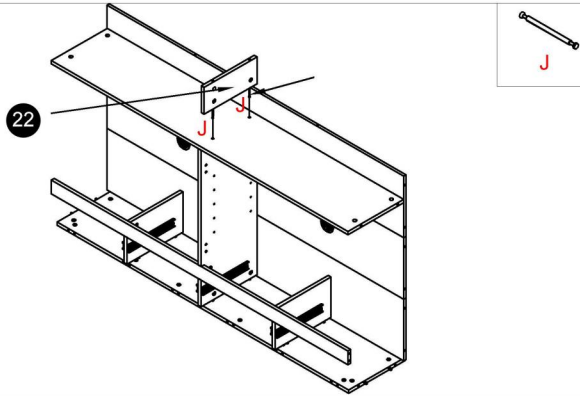
After installing part 20, use part A to secure all panels.

Step10



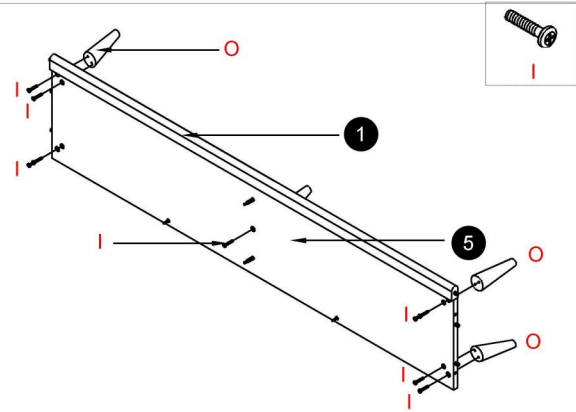
Insert part K through the back of part 20 to secure part 21.

Step11

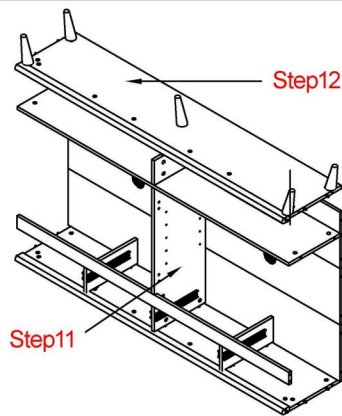


Insert part J through part 22, then lock it with part A.

Step12

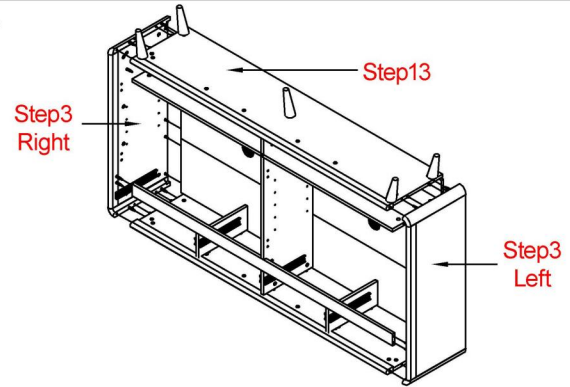


Step13



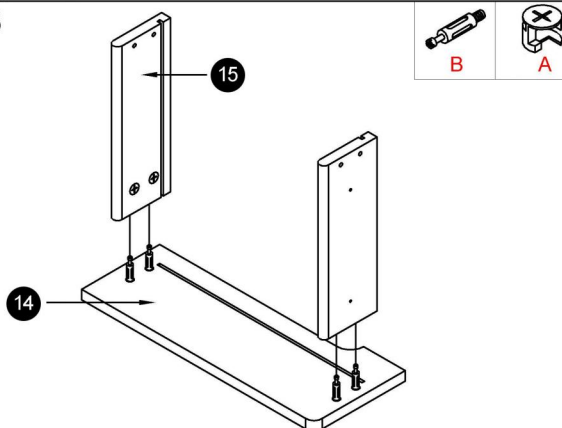
Connect the assembly from Step 12 to that from Step 11, and fasten using part A or D.

Step14



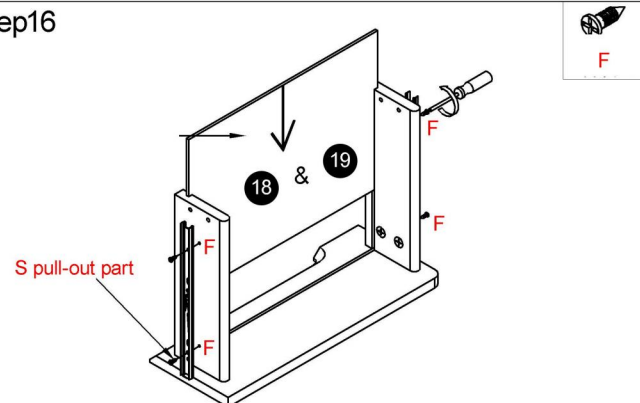
Connect steps 13 and 3 Left + Right, and fasten using part A or D.

Step15



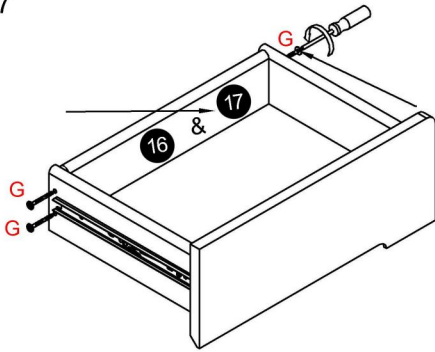
Find the drawer panel that matches in size and secure it with part A.

Step16

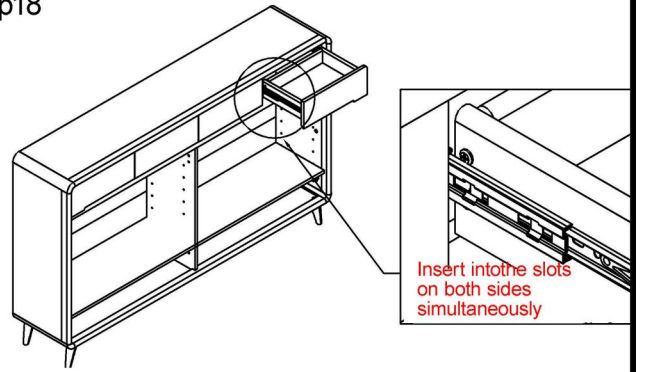


Insert the correctly sized bottom panel (18 or 19) into the groove. Use part F to install the S pull-out part.

Step17



Step18

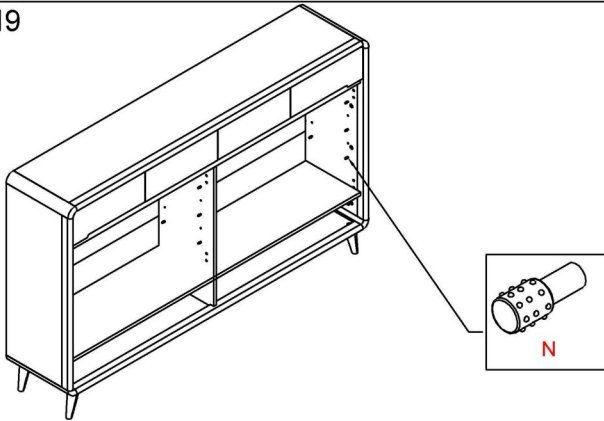


Insert into the slots on both sides simultaneously

Install the matching part 16 or 17 based on the drawer size, and fix it with part G.

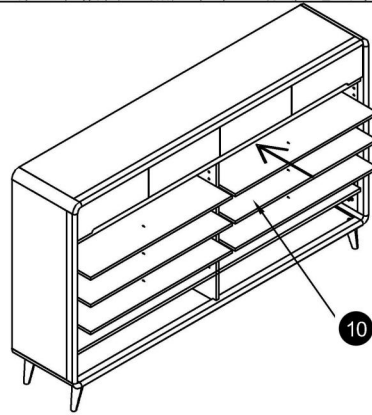
Pull the S part fixed to panels 6, 8 and 9 to its full length, with the silver ball-bearing section at the front. Insert the small tracks on both sides of the drawer into the slots, then gently push to secure.

Step19



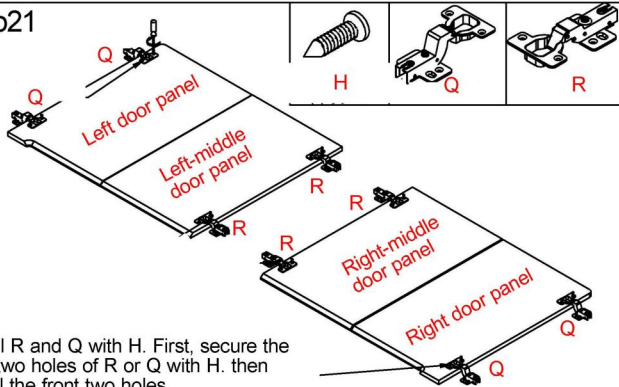
Install N onto panels 6 and 9

Step20



Place panels 10 onto N

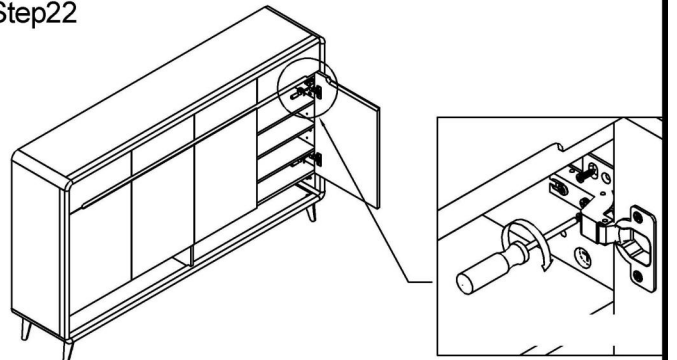
Step21



Install R and Q with H. First, secure the rear two holes of R or Q with H, then install the front two holes.

Note: When installing R or Q, if you encounter resistance while tightening the screws, stop immediately. Continuing to apply force may cause the threads to strip or damage the mechanism.

Step22



Refer to the previous hinge instructions to adjust the door alignment (up, down, left, right, in, and out). Once the gaps are even, use part H to tighten the remaining screw holes.